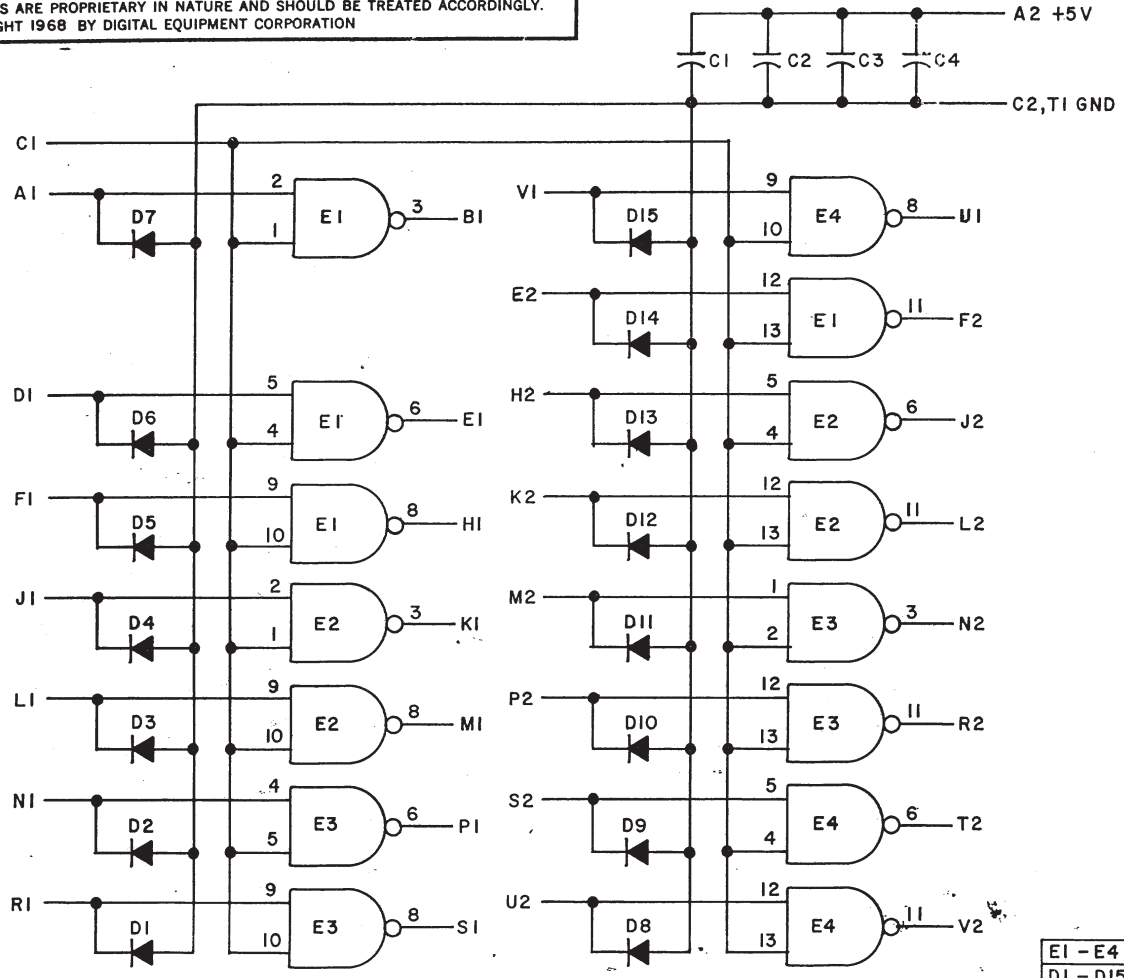


THIS SCHEMATIC IS FURNISHED ONLY FOR TEST AND MAINTENANCE PURPOSES. THE CIRCUITS ARE PROPRIETARY IN NATURE AND SHOULD BE TREATED ACCORDINGLY. COPYRIGHT 1968 BY DIGITAL EQUIPMENT CORPORATION



E1 - E4	INTEGRATED CKT. DEC7400N	1905575
D1 - D15	DIODE D664	1100114
C1 - C4	CAP. .01MFD 100V 20% DISC	1001610
	PARTS LIST	A-PL-MIOI-0-0
REFERENCE DESIGNATION	DESCRIPTION	PART NO.

REVISIONS	CHK CHG NO. REV. B	00001	
DRN.	M. Keller	DATE	8-5-68
CHK'D	M. Keller	DATE	8-6-68
ENG.	J. Kelly	DATE	8/26/68
PROD.		DATE	

TRANSISTOR & DIODE CONVERSION CHART			
DEC	EIA	DEC	EIA
D664	IN3606		

**digital**  
EQUIPMENT CORPORATION  
MAYNARD, MASSACHUSETTS

TITLE: BUS DATA INTERFACE MIOI

SIZE B	CODE CS	NUMBER MIOI-0-1	REV. B
--------	---------	-----------------	--------

PRINTED CIRCUIT REV. A



4 PINK

DIST. 324 | 437 | 435 | 2