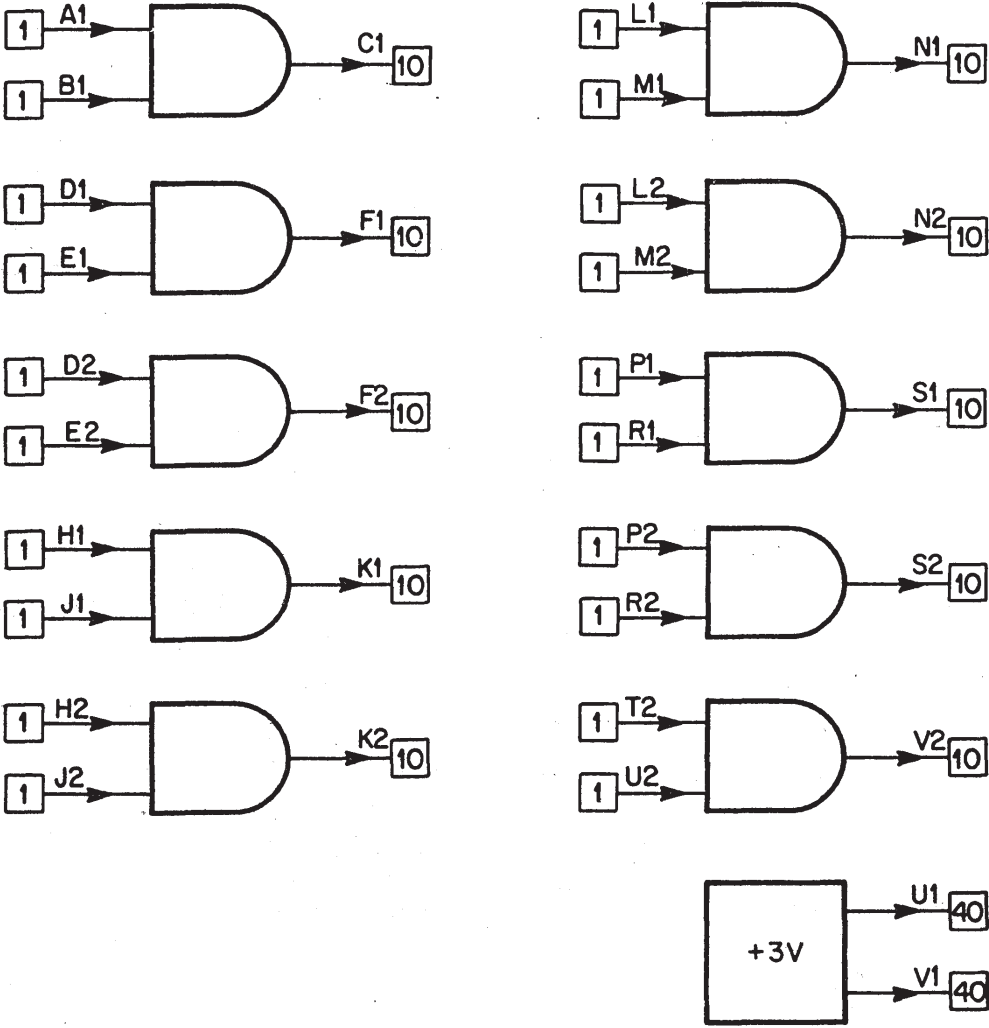


M1103 TWO-INPUT AND GATES

GATES
M SERIES

Length: Standard
Height: Single
Width: Single

Price:
\$14



Volts	Power	Pins
+5	mA (max.)	A2
GND	80	C2, T1

The M1103 contains ten 2-input AND gates. Unused inputs on any gate must be returned to a source of logic HIGH for maximum noise immunity. Two pins are provided (U1 and V1) as a source of +3 volts for this purpose.

APPLICATIONS

- Positive AND or negative OR gating