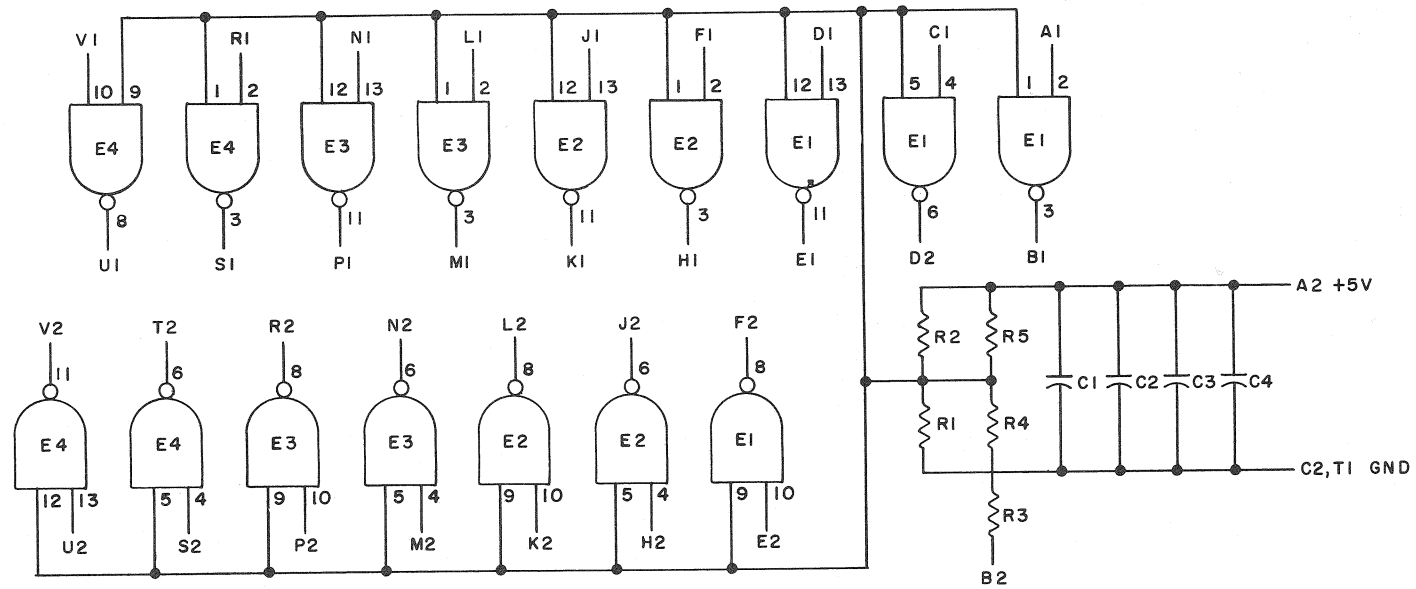


REV. NUMBER M111-0-1 B CS SIZE CODE

THIS SCHEMATIC IS FURNISHED ONLY FOR TEST AND MAINTENANCE PURPOSES. THE CIRCUITS ARE PROPRIETARY IN NATURE AND SHOULD BE TREATED ACCORDINGLY. COPYRIGHT 1968 BY DIGITAL EQUIPMENT CORPORATION



NOTES:
PIN 7 ON EACH IC = GND
PIN 14 ON EACH IC = +5V

E1-E4	INTEGRATED CKT. DEC7400N	1905575
R1-R5	RES. 750 1/4W 5% CC	1301401
C1-C4	CAP. .01MFD 100V 20% DISC	1001610
	PARTS LIST	A-PL-M111-0-0
REFERENCE DESIGNATION	DESCRIPTION	PART NO.

REVISIONS CHK CHG NO. REV.	DRN. <i>m. haller</i>	DATE 5-31-68	TRANSISTOR & DIODE CONVERSION CHART					TITLE INVERTER M111			
	CHK'D <i>N. P. ...</i>	DATE 6/11/68	DEC	EIA	DEC	EIA		SIZE B	CODE CS	NUMBER M111-0-1	REV.
	ENG. <i>John Egan</i>	DATE 7/25/68					PRINTED CIRCUIT REV. A				
	PROD. <i>J. ...</i>	DATE									

434 1 2 3 4

DEC FORM NO. DRB 102