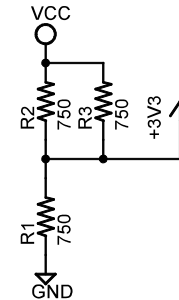
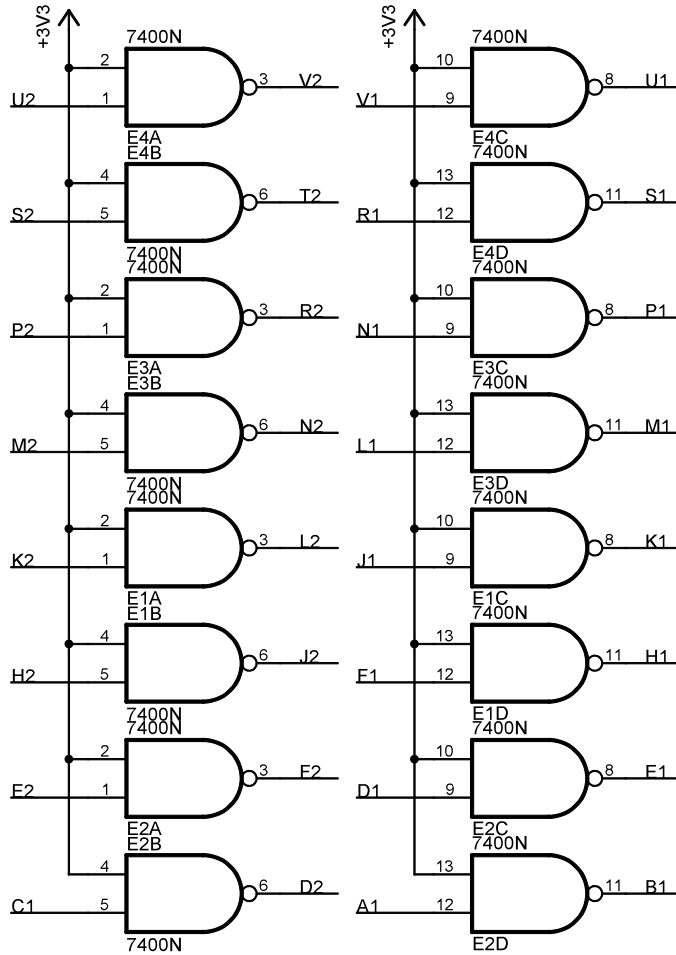


OUTLINE-SINGLE



INVERTER M111

TITLE: M111D

Document Number:
B-CS-M111-0-1

REV:

Date: 2/27/2013 05:01:06p

Sheet: 1/1