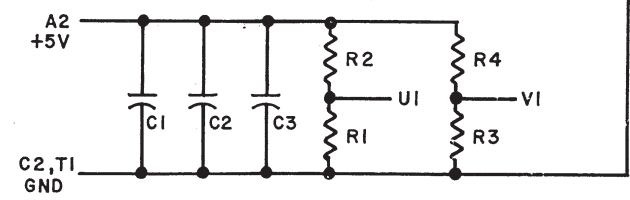
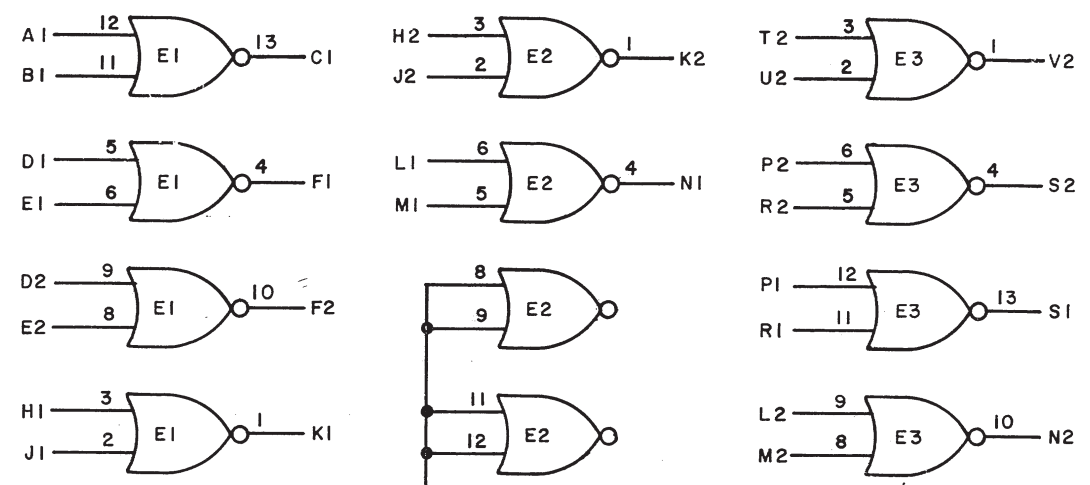


THIS SCHEMATIC IS FURNISHED ONLY FOR TEST AND MAINTENANCE PURPOSES. THE CIRCUITS ARE PROPRIETARY IN NATURE AND SHOULD BE TREATED ACCORDINGLY. COPYRIGHT 1968 BY DIGITAL EQUIPMENT CORPORATION



NOTES:
 PIN 7 ON EACH IC = GND
 PIN 14 ON EACH IC = +5V

C1, C2, C3	CAP. .01MFD 100V 20% DISC	1001610
E1, E2, E3	INTEGRATED CKT. DEC7402N	1909004
R2, R4	RES. 330 1/4W 5% CC	1300295
R1, R3	RES. 750 1/4W 5% CC	1301401
	PARTS LIST	A-PL-M112-0-0
REFERENCE DESIGNATION	DESCRIPTION	PART NO.

REVISIONS CHK CHG NO. REV. MM 00001 A RW 00002 C WSC 00003 D	DRN. <i>M. Waller</i>	DATE 2-20-68	TRANSISTOR & DIODE CONVERSION CHART				digital EQUIPMENT CORPORATION MAYNARD, MASSACHUSETTS	TITLE NOR GATE M112			
	CHK'D <i>H. Brennan</i>	DATE 2/22/68	DEC	EIA	DEC	EIA		SIZE B	CODE CS	NUMBER M112-0-1	REV. D
	ENG. <i>C. Roberts</i>	DATE 3/7/68						PRINTED CIRCUIT REV. D			
	PROD.	DATE									