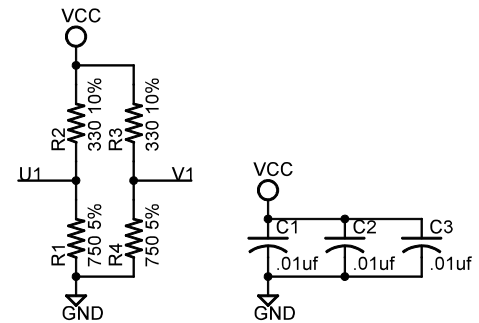


OUTLINE-SINGLE



6 4 INPUT NOR GATES M116

TITLE: M116A

Document Number:
B-CS-M116-0-1

REV:

Date: 2/27/2013 08:43:02p

Sheet: 1/1