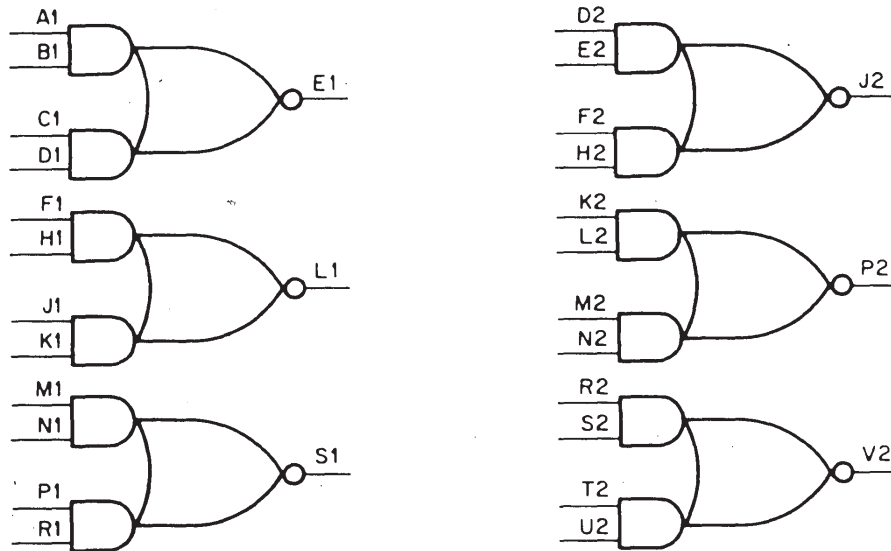


AND/NOR GATE
TYPE M121

M
SERIES



POWER:
 ← A2 ——— +5V
 ← C2, T1 ——— GRD
 +3V ——— U1, V1 ———→ UNUSED INPUTS

M121 AND/NOR GATES

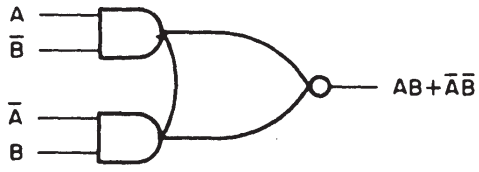
The M121 module contains six AND/NOR gates which perform the function $AB + CD$. By proper connection of signals to the AND inputs, the exclusive OR, coincidence, and NOR functions can be performed.

Typical propagation delay of an M121 gate is 15 nsec.

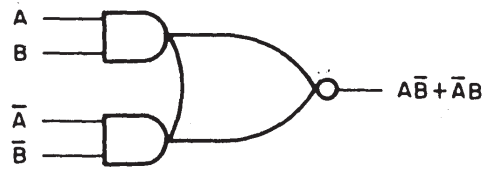
Inputs: Each input presents one unit load to the driving module.

Outputs: Each output is capable of driving up to 10 unit loads.

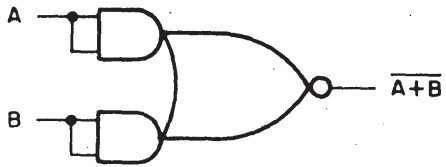
Power: +5 volts, 21 ma (avg.)



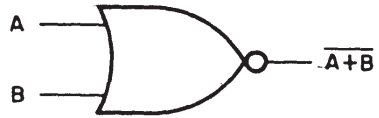
COINCIDENCE



EXCLUSIVE OR



NOR FUNCTION



M121 — \$25.00
