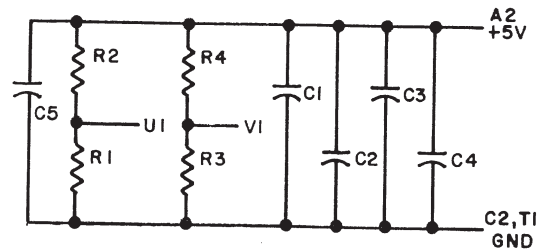
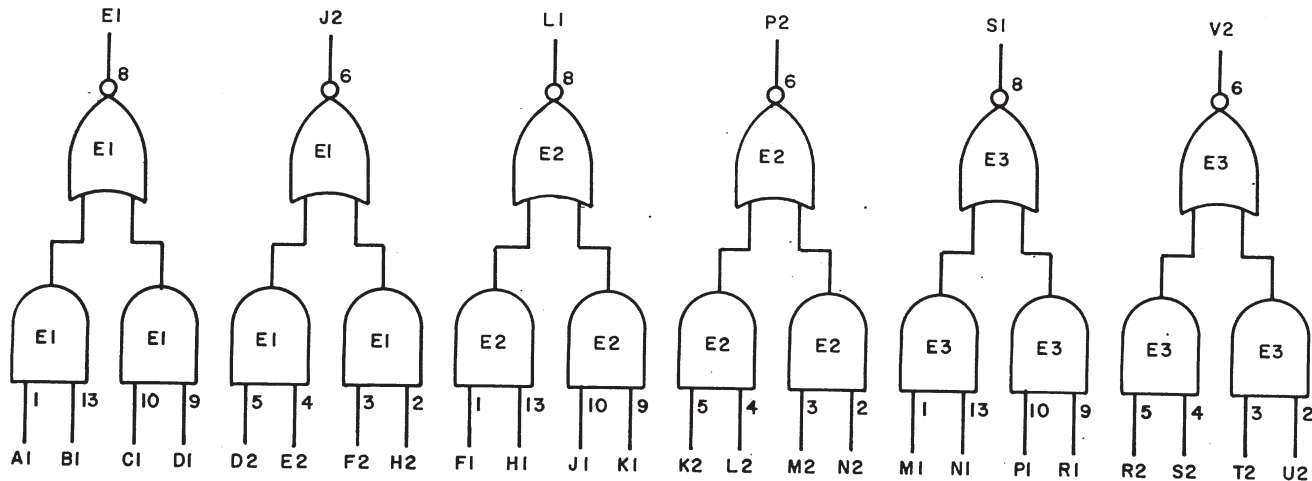


THIS SCHEMATIC IS FURNISHED ONLY FOR TEST AND MAINTENANCE PURPOSES. THE CIRCUITS ARE PROPRIETARY IN NATURE AND SHOULD BE TREATED ACCORDINGLY. COPYRIGHT 1967 BY DIGITAL EQUIPMENT CORPORATION

REV. C	NUMBER M121-0-1	SIZE B	CODE CS
--------	-----------------	--------	---------



NOTES:
PIN 7 ON EACH IC = GND
PIN 14 ON EACH IC = +5V

E1 THRU E3	INTEGRATED CKT. DEC7450N	1905580
R2 & R4	RES. 330 1/4W 10% CC	1300293
R1 & R3	RES. 750 1/4W 5% CC	1301401
C1 THRU C5	CAP. .01MFD 100V 20% DISC	1001610
PARTS LIST		A-PL-M121-0-0
REFERENCE DESIGNATION	DESCRIPTION	PART NO.

REVISIONS	CHK	CHG NO.	REV.
		5802	A
		00001	B
		00002	C

DRN.	DATE
<i>M. Waller</i>	4-21-67
CHK'D	DATE
<i>[Signature]</i>	4-21-67
ENG.	DATE
<i>L. White</i>	4-21-67
PROD.	DATE

TRANSISTOR & DIODE CONVERSION CHART			
DEC	EIA	DEC	EIA

digital		TITLE	
EQUIPMENT CORPORATION		AND-NOR GATE M121	
SIZE B	CODE CS	NUMBER M121-0-1	REV. C
MAYNARD, MASSACHUSETTS			PRINTED CIRCUIT REV. D

DEC FORM NO. DRB 102

↑ PINK

DIST. 324 434 435³ 15