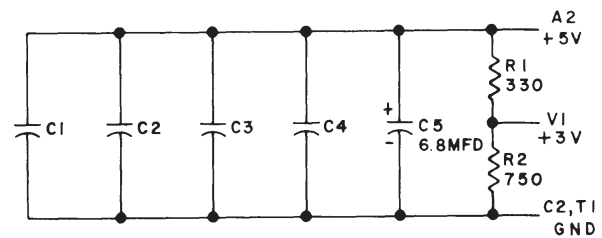
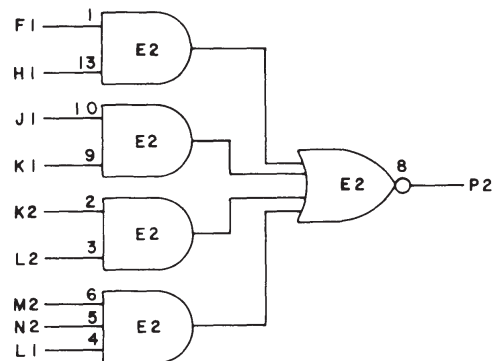
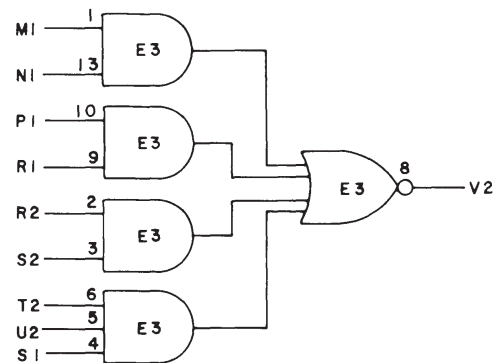
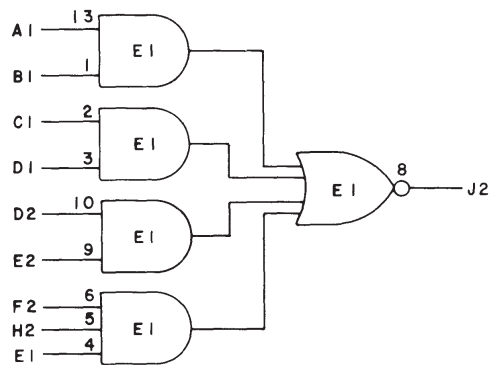


THIS SCHEMATIC IS FURNISHED ONLY FOR TEST AND MAINTENANCE PURPOSES. THE CIRCUITS ARE PROPRIETARY IN NATURE AND SHOULD BE TREATED ACCORDINGLY. COPYRIGHT 1969 BY DIGITAL EQUIPMENT CORPORATION.



UNLESS OTHERWISE INDICATED
CAPACITORS ARE .01MFD
RESISTORS ARE 1/4 W 5%
IC'S ARE DEC 74H53
PIN 7 ON EACH IC = GND
PIN 14 ON EACH IC = GND

REVISIONS
CHK CHG NO REV

DRN: *Hunting* DATE: 3-14-69
CHK'D: *G. Yungler* DATE: 3-17-69
ENG: *DE O'Connor* DATE: 4-7-69
PROD: DATE:

TRANSISTOR & DIODE CONVERSION CHART			
DEC		EIA	

digital
EQUIPMENT CORPORATION
MAYNARD, MASSACHUSETTS

TITLE: 2-2-2-3 AND / NOR GATE M127
SIZE: B CODE: CS NUMBER: M127-0-1 REV:
PRINTED CIRCUIT REV: A