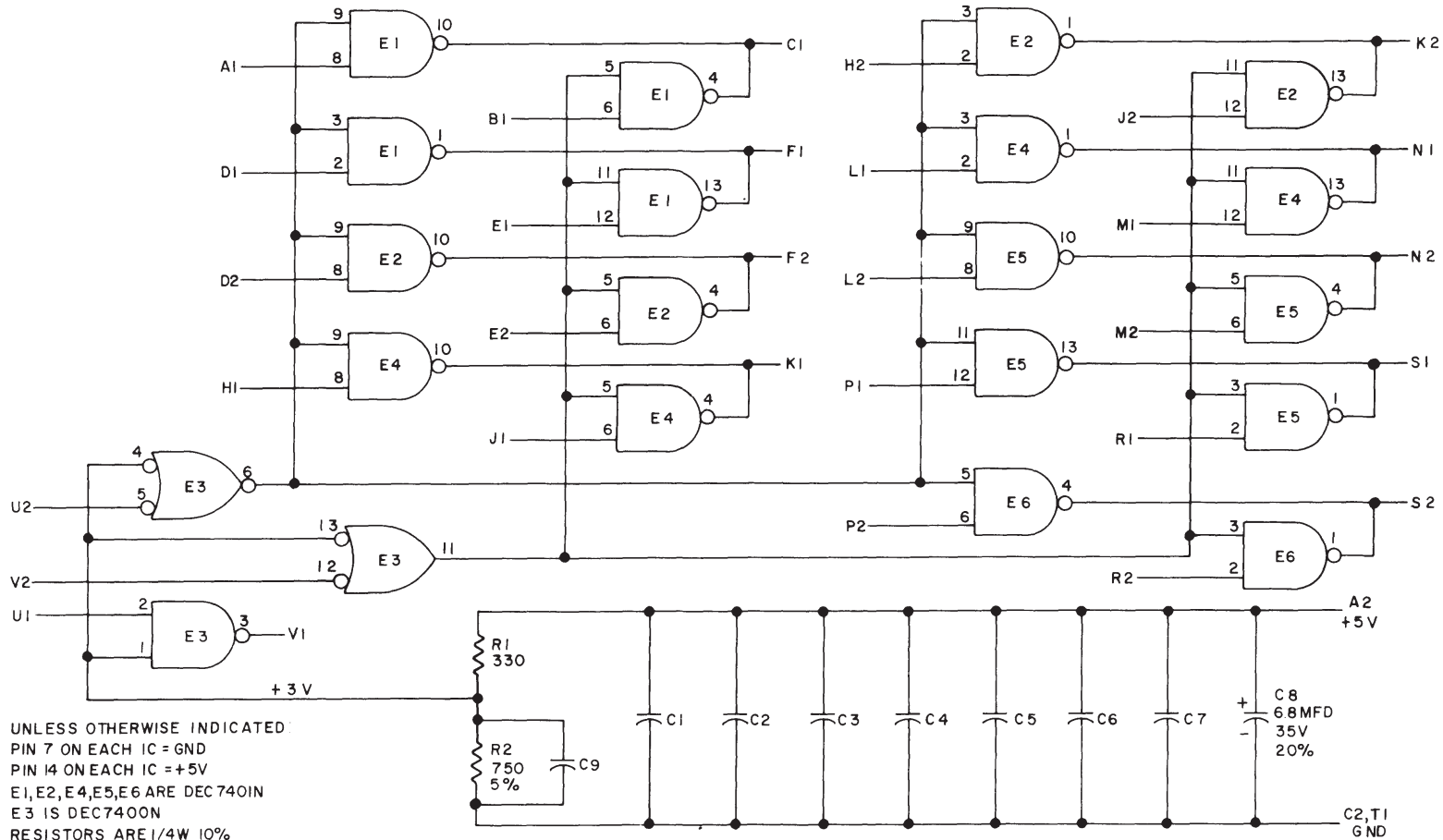


THIS SCHEMATIC IS FURNISHED ONLY FOR TEST AND MAINTENANCE PURPOSES. THE CIRCUITS ARE PROPRIETARY IN NATURE AND SHOULD BE TREATED ACCORDINGLY. COPYRIGHT 1969 BY DIGITAL EQUIPMENT CORPORATION



UNLESS OTHERWISE INDICATED:
 PIN 7 ON EACH IC = GND
 PIN 14 ON EACH IC = +5V
 E1, E2, E4, E5, E6 ARE DEC 7401N
 E3 IS DEC 7400N
 RESISTORS ARE 1/4W 10%
 CAPACITORS ARE .01MFD, 100V, 20%

REVISIONS	CHK	CHG NO	REV
		00001	B
		4	

DRN	DATE
<i>[Signature]</i>	3-26-69
CHK'D	DATE
<i>[Signature]</i>	3-28-69
EMD	DATE
<i>[Signature]</i>	4/23/69
PROD	DATE

TRANSISTOR & DIODE CONVERSION CHART			
DEC		EIA	

digital
 EQUIPMENT CORPORATION
 MAYNARD, MASSACHUSETTS

TITLE			
9X2 NAND WIRED OR MATRIX M149			
SIZE	CODE	NUMBER	REV
B	CS	M149-0-1	B
PRINTED CIRCUIT REV			
C			