

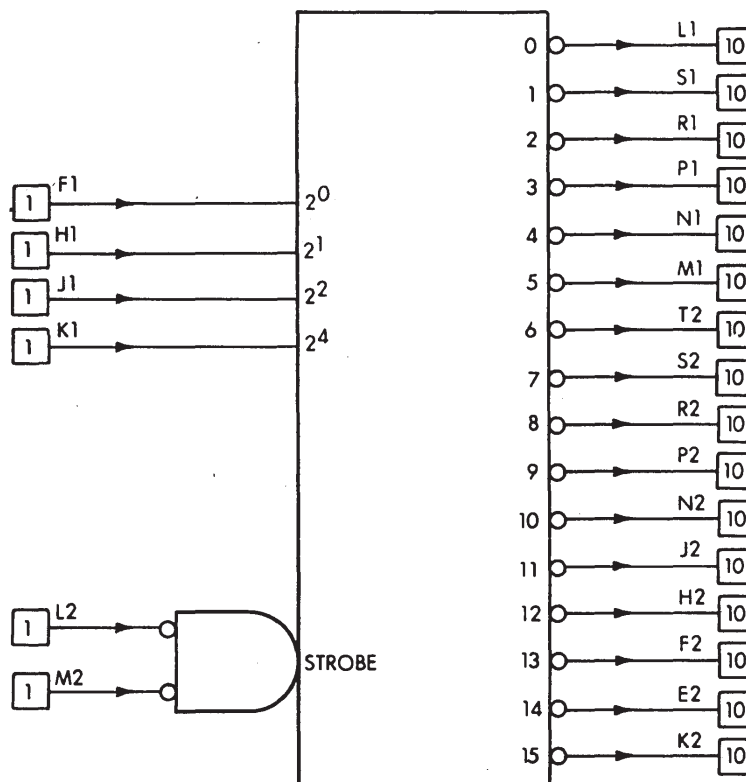
M155 4-LINE TO 16-LINE DECODER

NUMERIC

M SERIES

Length: Standard
Height: Single
Width: Single

Price
\$30



Volts	Power	Pins
+5	mA (max.)	A2
GND	55	C2, T1

The M155 module decodes four binary-coded inputs into one of sixteen mutually exclusive outputs when both STROBE inputs, L2 and M2, are Low. The demultiplexing function is performed by using the four input lines to address the output line, passing data from one of the STROBE inputs with the other STROBE input LOW. When either STROBE input is HIGH, all outputs are HIGH. Refer to the Truth Table.

SPECIFICATIONS

Propagation Delay

From:
Data Inputs
Either STROBE Input

To:
HIGH or LOW Output = 36 ns (max)
HIGH or LOW Output = 30 ns (max)

