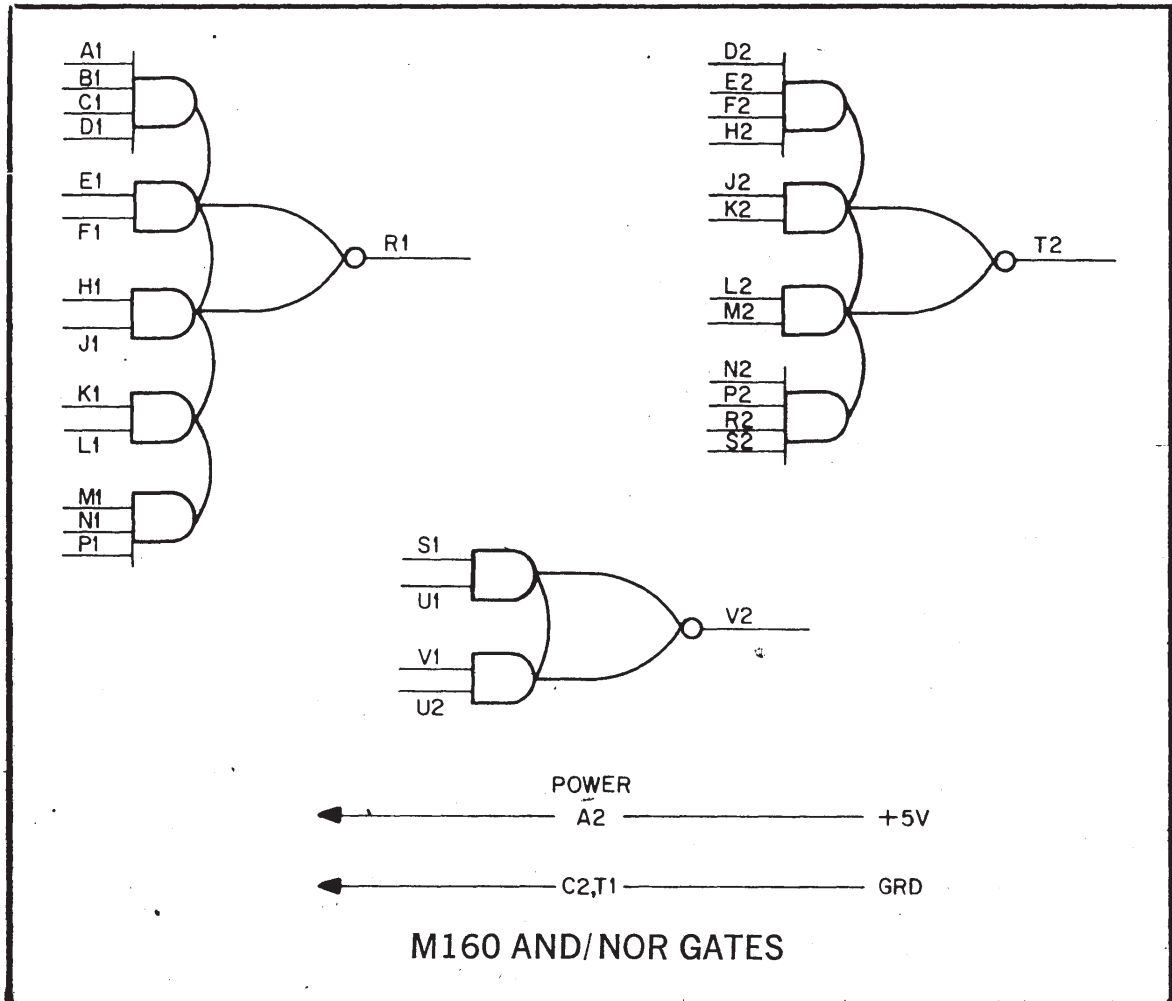


AND/NOR GATE

M160

M

SERIES



The M160 module contains three general purpose AND/NOR gates which perform functions similar to the M121. By connecting signals to the AND inputs, these gates can be used to select and place on a single output any of several input signals.

Typical propagation delay of an M160 gate is 20 nsec.

INPUTS: Each input presents one unit load

OUTPUTS: Each output is capable of driving 10 unit loads

POWER: +5 volts, 12 ma (average)

M160 — \$35.00