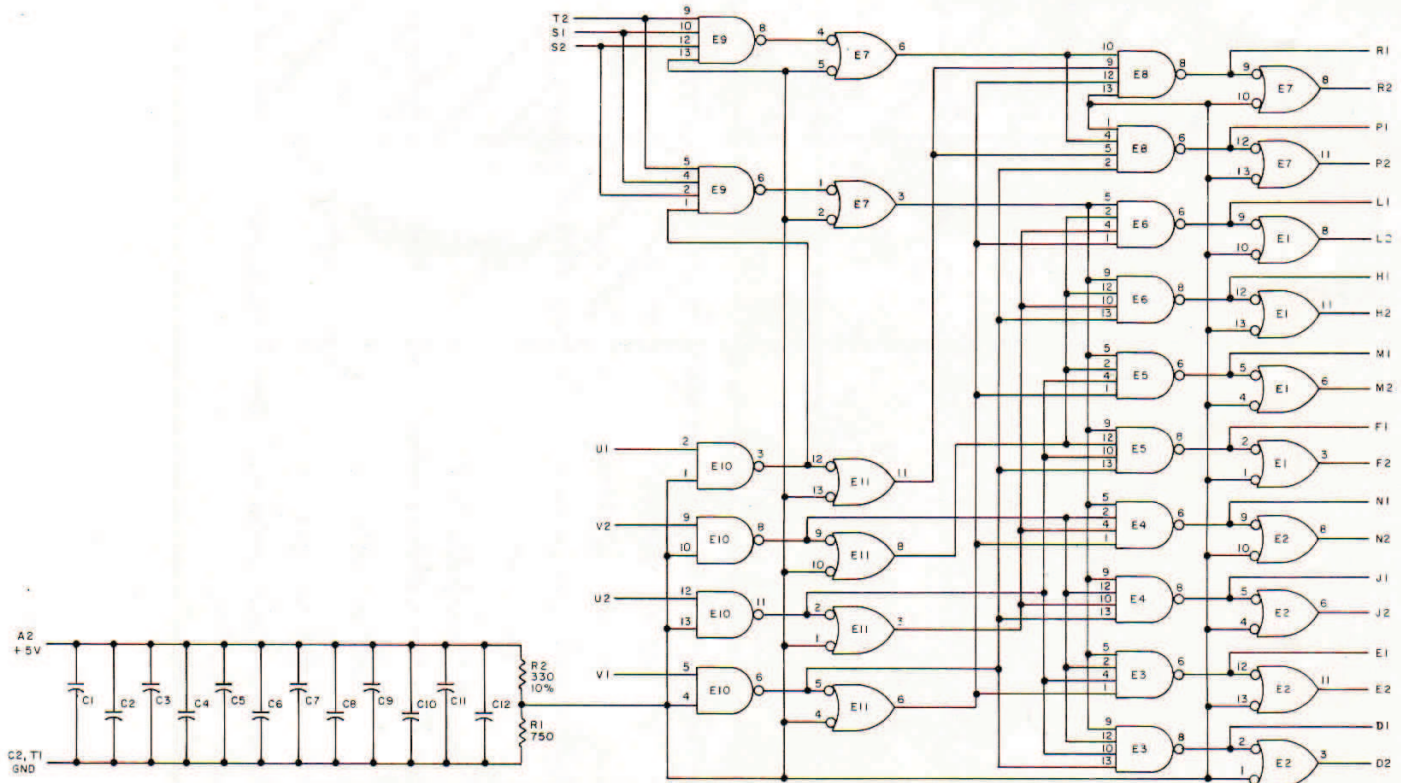


THIS SCHEMATIC IS PROVIDED ONLY FOR USE AND MAINTENANCE PURPOSES. THE CIRCUITS ARE PROPRIETARY IN NATURE AND SHOULD BE REPRODUCED ACCORDING TO COPYRIGHT 1967 BY DIGITAL EQUIPMENT CORPORATION.



UNLESS OTHERWISE INDICATED:
 RESISTORS ARE 1/4W, 5%
 CAPACITORS ARE .01 MFD
 PIN 7 ON EACH IC = GND
 PIN 14 ON EACH IC = +5V
 E3, E4, E5, E6, E8 & E9 ARE DEC7420N
 E1, E2, E7, E10 & E11 ARE DEC7400N

TRANSISTOR & DIODE CONVERSION CHART			
DEC	EIA	DEC	EIA

digital

EQUIPMENT CORPORATION

RAYMOND, MASSACHUSETTS

TITLE: BINARY TO OCTAL/DECIMAL DECODER M161

SIZE: C CODE: CS NUMBER: M161-0-1 REV: A

CIRCUIT REV: A

REV. NUMBER M161-0-1