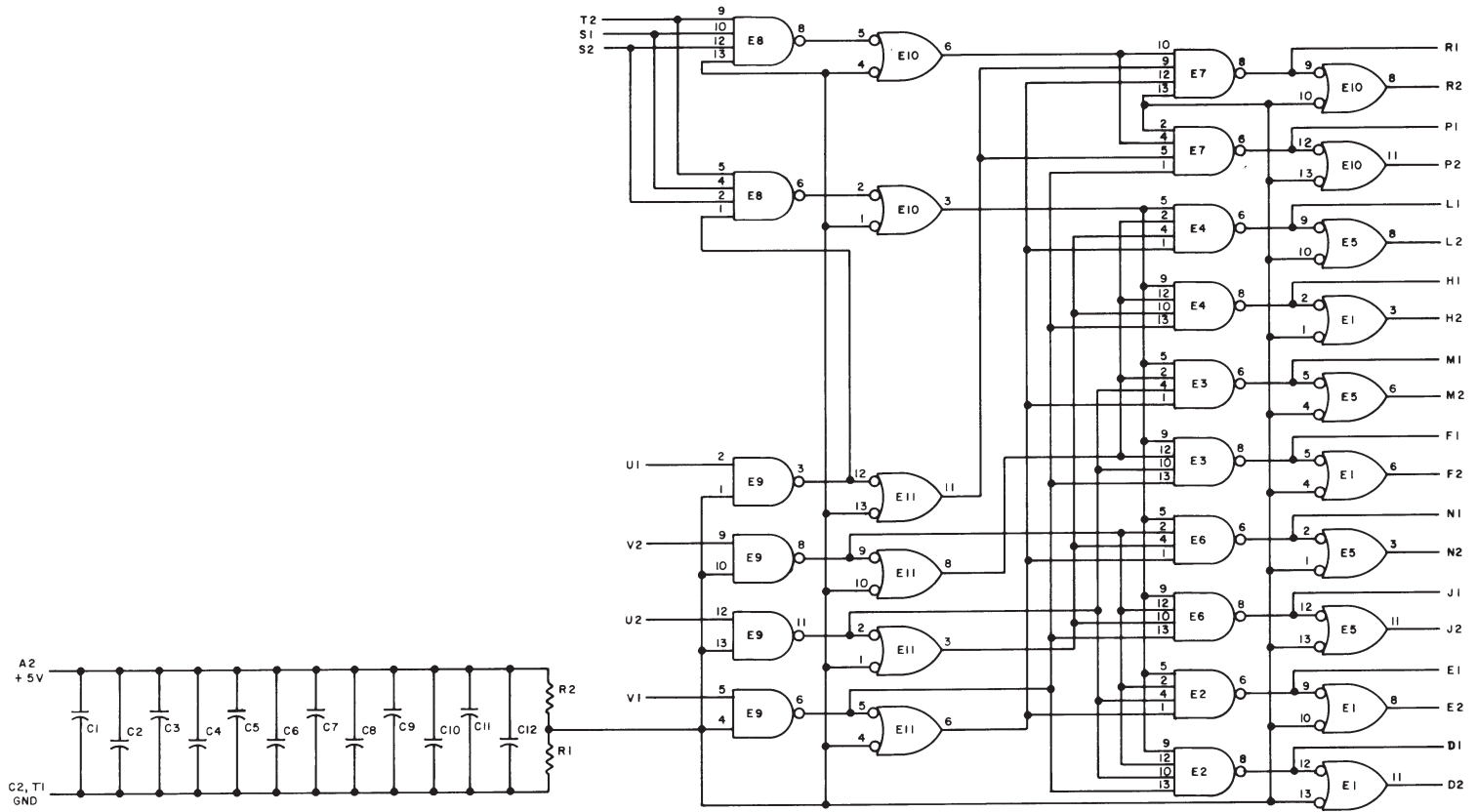


THIS SCHEMATIC IS FURNISHED ONLY FOR TEST AND MAINTENANCE PURPOSES. THE CIRCUITS ARE PROPRIETARY IN NATURE AND SHOULD BE TREATED ACCORDINGLY. COPYRIGHT 1967 BY DIGITAL EQUIPMENT CORPORATION

M161-3



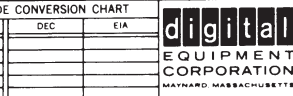
PIN 7 ON EACH IC = GND
PIN 14 ON EACH IC = +5V

E1, E5, E9, E10, E11	INTEGRATED CKT. DEC7400N	1905575
E2, E3, E4, E6, E7, E8	INTEGRATED CKT. DEC7420N	1905577
R2	RES. 330 1/4W 10% CC	1300293
R1	RES. 750 1/4W 5% CC	1301401
C1 THRU C12	CAP. .01MFD 100V 20% DISC	1001610
	PARTS LIST	A-PL-M161-0-0
REFERENCE DESIGNATION	DESCRIPTION	PART NO.

REVISIONS	CHK	ENG	NO	REL.

DRN	DATE	5/12/67
CHK'D	DATE	5/17/67
ENG	DATE	5/17/67
PROD	DATE	

TRANSISTOR & DIODE CONVERSION CHART			
DEC	EIA	DEC	EIA



TITLE		BINARY TO OCTAL/DECIMAL DECODER M161	
SIZE	CODE	NUMBER	REV
C	CS	M161-0-1	B
EQUIPMENT CORPORATION		MAYNARD MASSACHUSETTS	
PRINTED			