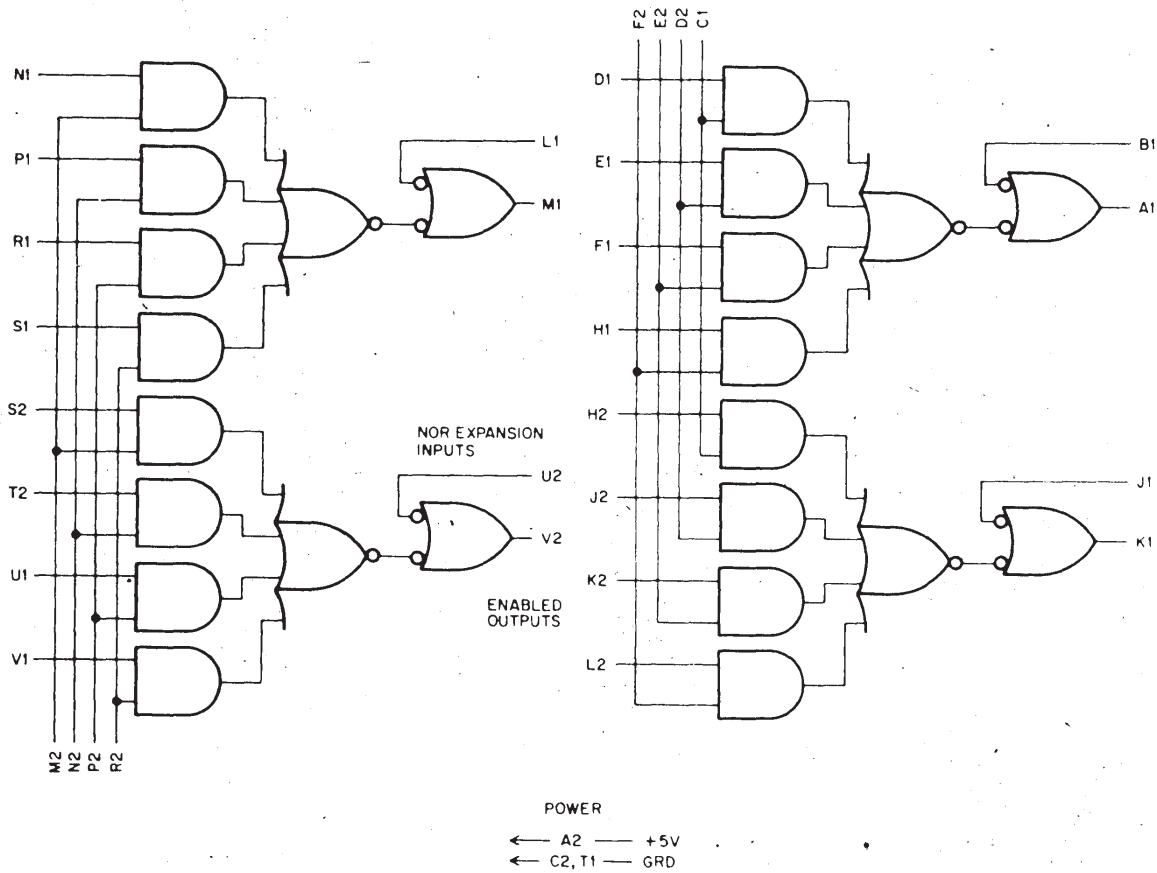


# GATING MODULE M169

# M SERIES



**M169 GATING MODULE**

The M169 provides a general gating function, and may be used as a four-output multiplexer. Raising High a DATA INPUT and selecting a corresponding INPUT ENABLE line, generates a High at the appropriate ENABLED OUTPUT, A1, K1, M1 or V2. Any of the ENABLED OUTPUTS may be enabled directly through an M121 or M160 AND/NOR gate, used as an NOR Expander. Maximum input to output propagation delay for any circuit is 45 nsec.

**Inputs:** Each DATA INPUT pin and EXPANSION INPUT pin presents one unit load. Each INPUT ENABLE pin presents two unit loads.

**Outputs:** Each output can drive up to ten unit loads.

**Power:** +5 volts at 50 ma. (max.)

**M169 — \$35**