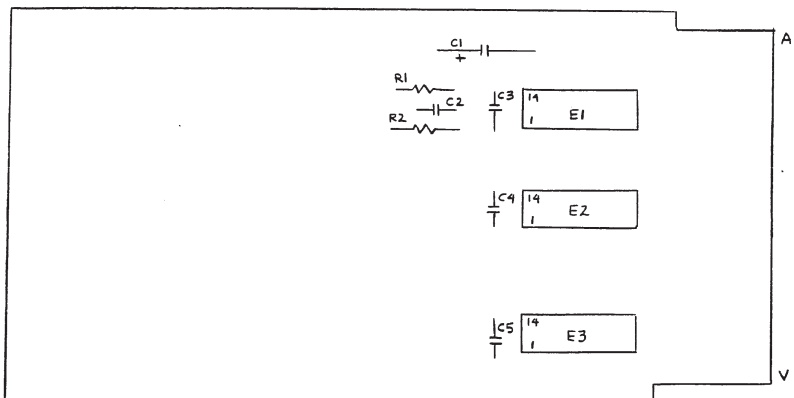
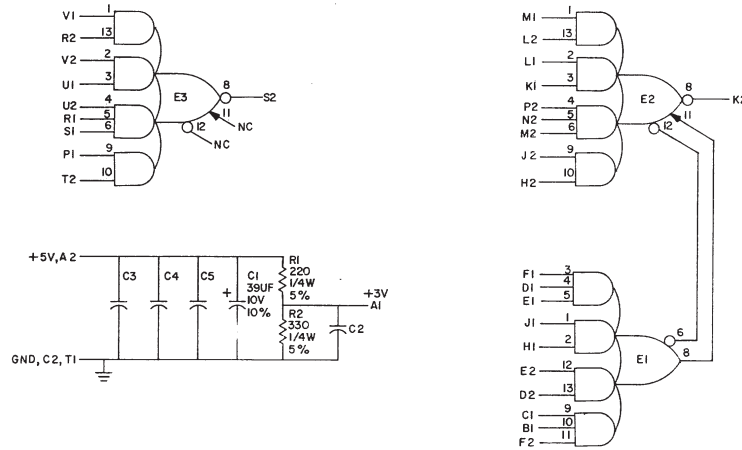


THIS SCHEMATIC IS FURNISHED ONLY FOR TEST AND MAINTENANCE PURPOSES. THE CIRCUITS ARE PROPRIETARY IN NATURE AND SHOULD BE TREATED ACCORDINGLY. COPYRIGHT 1970 BY DIGITAL EQUIPMENT CORPORATION



UNLESS OTHERWISE INDICATED:
 CAPACITORS = .01UF, 100V, 20%
 E1 = DEC1074H62
 E2, E3 = DEC1074H53
 PIN 7 = GND ON ALL IC'S
 PIN 14 = +5V

12	9008337-06	HANDLE, FLIP CHIP - MAGENTA	1
11	9006732	EYELETS #GS 4-7	2
10	190587	I.C. DEC1074H62	1
9	190584	I.C. DEC1074H53	2
8	1300295	RES. 330, 1/4W, 5%	1
7	1300271	RES. 220, 1/4W, 5%	1
6	1001610	CAP. .01UF, 100V, 20% DISC	4
5	1000076	CAP. 39UF, 10V, 10%	1
4	5009331	ETCHED CIRCUIT BOARD	1
3	B-MH-M170-0-6	MODULE ECO HISTORY	
2	C-AH-M170-0-5	ASSY/DRILLING HOLE LAYOUT	
1	K-CO-M170-0-4	X-Y COORDINATE HOLE LOCATION	
ITEM NO.	DEC PART NO.	DESCRIPTION	QTY.
		PARTS LIST	

REVISIONS:
 100001 B

DRN
 MAINLY MOORE
 DATE 12/14/70
 CHK'D
 DATE ?
 ENG
 DATE 12/10/70
 PROD
 DATE

TRANSISTOR & DIODE CONVERSION CHART

DEC	EIA	DEC	EIA

digital
 EQUIPMENT CORPORATION
 MAYNARD, MASSACHUSETTS

TITLE 8 WIDE AND-NOR M17C
 NUMBER M170-0-1
 REV B
 PRINTED CIRCUIT REV B

REV B
 NUMBER M170-0-1
 SIZE CODE C