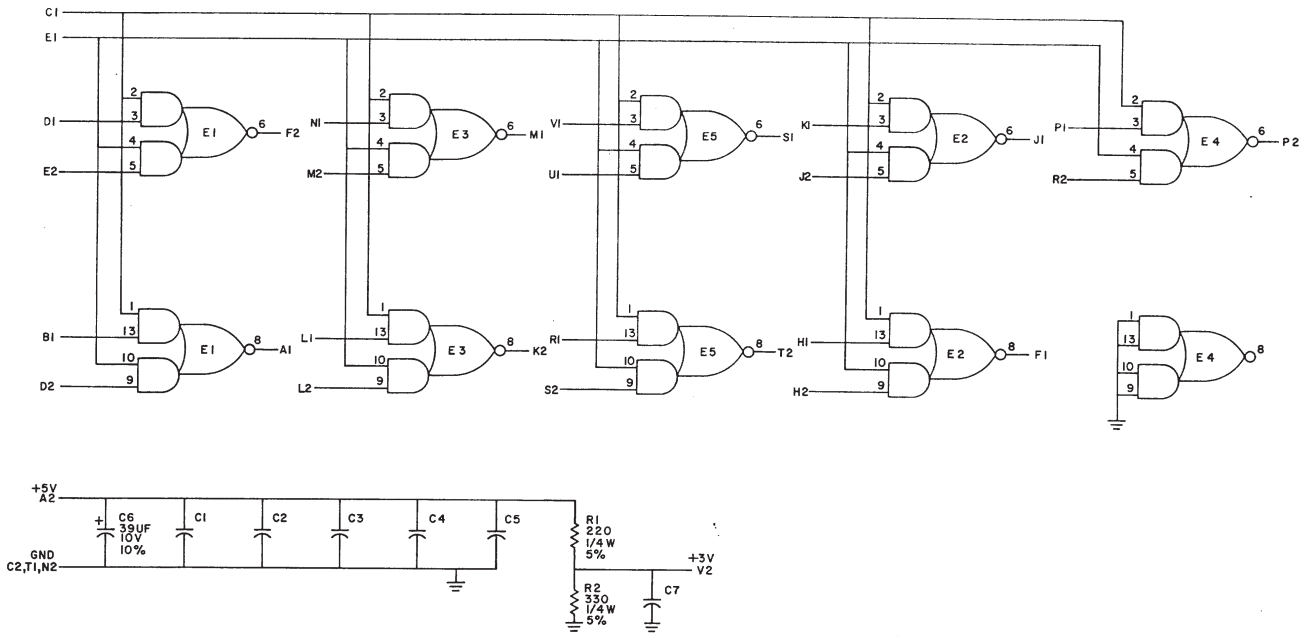
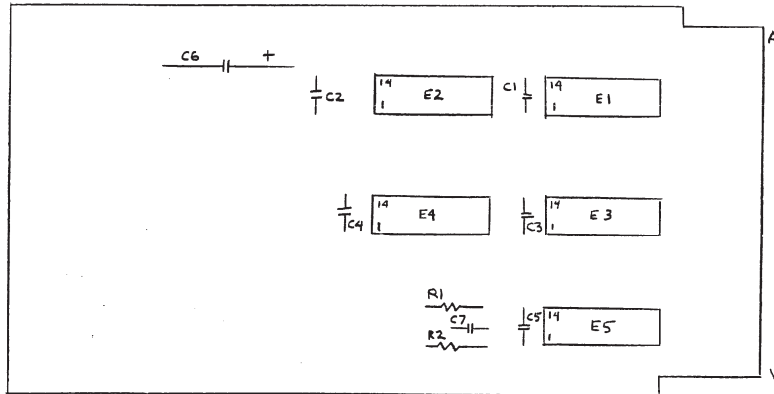


THIS SCHEMATIC IS FURNISHED ONLY FOR TEST AND MAINTENANCE PURPOSES. THE CIRCUITS ARE PROPRIETARY IN NATURE AND SHOULD BE TREATED ACCORDINGLY. COPYRIGHT 1970 BY DIGITAL EQUIPMENT CORPORATION



UNLESS OTHERWISE INDICATED:
CAPACITORS ARE .01 UF, 100V, 20%
IC'S ARE DEC1074H50
PIN 7 = GND
PIN 14 = +5V



ITEM NO.	DEC PART NO.	DESCRIPTION	QTY.
11	9008337-06	HANDLE, FLIP CHIP - MAGENTA	1
10	9006732	EYELET WGS 4-7	2
9	1910512	I.C. DEC1074H50	5
8	1300295	RES. 330, 1/4W, 5% CC	1
7	1300271	RES. 220, 1/4W, 5% CC	1
6	1001610	CAP. .01UF, 100V, 20% DISC	6
5	1000076	CAP. 39UF, 10V, 10% S. TANT	1
4	5008536	ETCHED CIRCUIT BOARD	1
3	B-MH-M172-0-6	MODULE ECO HISTORY	
2	C-AH-M172-0-5	ASSY/DRILLING HOLE LAYOUT	
1	K-CO-M172-0-4	X-Y COORDINATE HOLE LOCATION	

PARTS LIST			
ITEM NO.	DEC PART NO.	DESCRIPTION	QTY.
TITLE			
2X9 DATA MIXER MI72			
digital EQUIPMENT CORPORATION			
SIZE	CODE	NUMBER	REV.
C	CS	MI72-0-1	A
PRINTED CIRCUIT REV.			

REVISIONS
CHK'G NO. REV. A
7/21/00001

DRN: S. Cooper 12/1/72
CHK'D: M. 1/4/73
ENG: 2/1/73
PROD: 2/1/73

TRANSISTOR & DIODE CONVERSION CHART			
DEC	EIA	DEC	EIA

digital
EQUIPMENT CORPORATION
MAYNARD, MASSACHUSETTS

SIZE CODE NUMBER REV.
C CS MI72-0-1 A

REV. A
NUMBER
MI72-0-1
SIZE CODE
C CS

DEC FORM NO. ORC 102