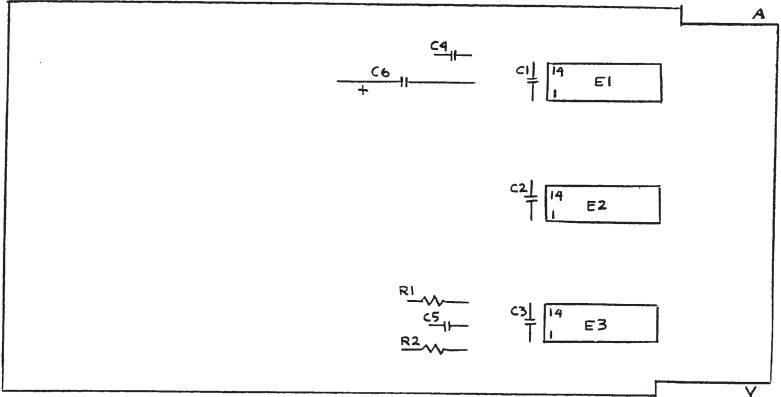
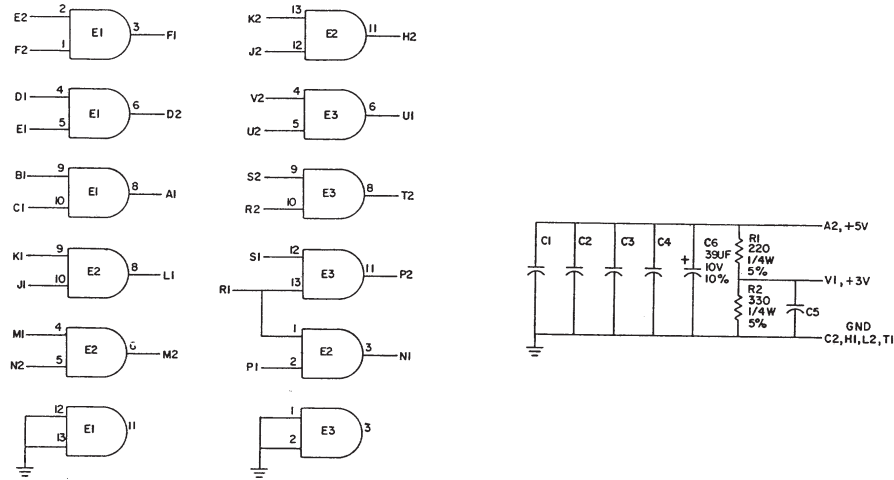


THIS SCHEMATIC IS FURNISHED ONLY FOR TEST AND MAINTENANCE PURPOSES. THE CIRCUITS ARE PROPRIETARY IN NATURE AND SHOULD BE TREATED AS SUCH. COPYRIGHT 1970 BY DIGITAL EQUIPMENT CORPORATION.



UNLESS OTHERWISE INDICATED:  
 CAPACITORS = .01UF, 100V, 20%  
 IC'S = DEC3001  
 PIN 7 = GND, ON ALL IC'S  
 PIN 14 = +5V

| ITEM NO. | DEC PART NO.  | DESCRIPTION                  | QTY |
|----------|---------------|------------------------------|-----|
| 11       | 9008337-06    | HANDLE, FLIP CHIP - MAGENTA  | 1   |
| 10       | 9006732       | EYELET #GS 4-7               | 2   |
| 9        | 1909514       | I.C. DEC 3001                | 3   |
| 8        | 1300295       | RES. 330, 1/4W, 5%           | 1   |
| 7        | 1300271       | RES. 220, 1/4W, 5%           | 1   |
| 6        | 1001610       | CAP. .01UF, 100V, 20% DISC   | 5   |
| 5        | 1000076       | CAP. 39UF, 10V, 10% TANT     | 1   |
| 4        | 5009292       | ETCHED CIRCUIT BOARD         | 1   |
| 3        | B-KH-M173-0-6 | MODULE ECO HISTORY           |     |
| 2        | C-AH-M173-0-5 | ASSY/DRILLING HOLE LAYOUT    |     |
| 1        | K-CO-M173-0-4 | X-Y COORDINATE HOLE LOCATION |     |

|  |  |   |                  |                  |                            |  |                   |                    |          |
|--|--|---|------------------|------------------|----------------------------|--|-------------------|--------------------|----------|
| REVISIONS<br>P.C. NO. REV. A<br>23 00001 | DRN<br>WANDY MOORE<br>DATE<br>12/16/70 | TRANSISTOR & DIODE CONVERSION CHART<br>DEC    EIA    DEC    EIA |                  |                  |                            | TITLE<br>IO AND GATES M173<br>digital<br>EQUIPMENT CORPORATION<br>MAYFORD, MASSACHUSETTS | SIZE CODE<br>C CS | NUMBER<br>M173-0-1 | REV<br>A |
|  | CHG'D<br>DATE<br>12/16/70              | DATE<br>12/16/70  | DATE<br>12/16/70 | DATE<br>12/16/70 | PRINTED CIRCUIT REV<br>A/B |  |                   |                    |          |

REV. A  
 NUMBER M173-0-1  
 SIZE CODE C CS

DEC FORM NC  
 DPC 10:

Rev B