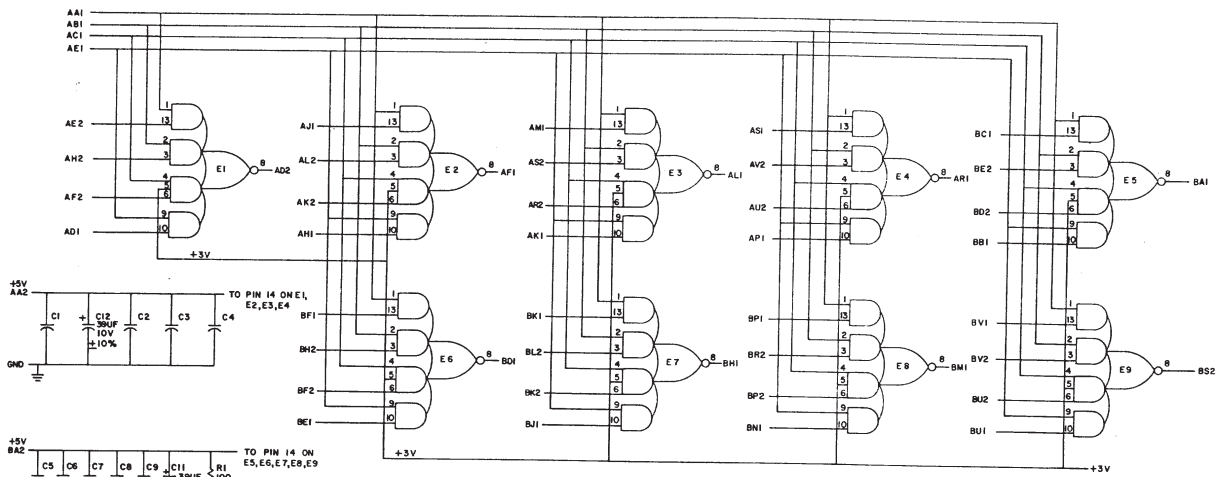
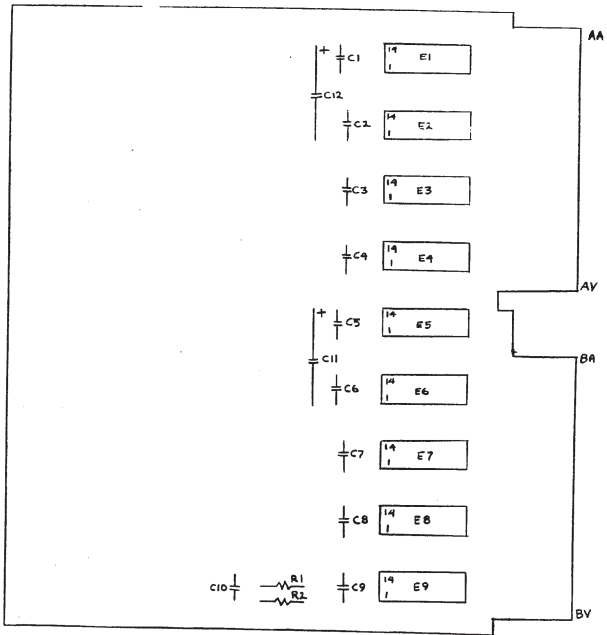


THIS SCHEMATIC IS FURNISHED ONLY FOR TEST AND MAINTENANCE PURPOSES THE CIRCUITS ARE PROPRIETARY IN NATURE AND SHOULD BE TREATED ACCORDINGLY COPYRIGHT 1968 BY DIGITAL EQUIPMENT CORPORATION

V 1-0-V174 M74 CS D  
A1M 2000 1251



UNLESS OTHERWISE INDICATED:  
RESISTORS ARE 1/4 W, 5%  
CAPACITORS ARE .01UF, 100V, 20%  
IC'S ARE DEC/DMMMS  
PIN 7 ON EACH IC = GND



ITEM NO.	DEC PART NO.	DESCRIPTION	QTY.
11	9008337-06	HANDLE, FLIP CHIP - MAGENTA	2
10	9006732	EYELET SGS 4-7	4
9	190584	I.C. DEC/DMMMS	9
8	1300250	RES. 150, MM, 5%	1
7	1300229	RES. 100, MM, 5%	1
6	1001610	CAP. .01UF, 100V, 20% DISC	10
5	1000076	CAP. .39UF, 10V, 10% S. TANT	2
4	5008527	ETCHED CIRCUIT BOARD	1
3	B-MH-M174-0-6	MODULE ECO HISTORY	
2	C-AH-M174-0-5	ASSY/DRILLING HOLE LAYOUT	
1	K-CC-M174-0-4	X-Y COORDINATE HOLE LOCATION	
PARTS LIST			

REV	DATE	BY	CHKD
1	11/12	GP	GP
2	12/12	GP	GP
3	12/12	GP	GP
4	12/12	GP	GP
5	12/12	GP	GP
6	12/12	GP	GP
7	12/12	GP	GP
8	12/12	GP	GP
9	12/12	GP	GP
10	12/12	GP	GP

TRANSISTOR & DIODE CONVERSION CHART			
DEC	EMA	DEC	EMA

**digital**  
EQUIPMENT CORPORATION  
MILITARY DIVISION  
4X9 DATA MIXER M174  
REV A  
PRINTED CIRCUIT REV. A

REV A  
M174-0-1