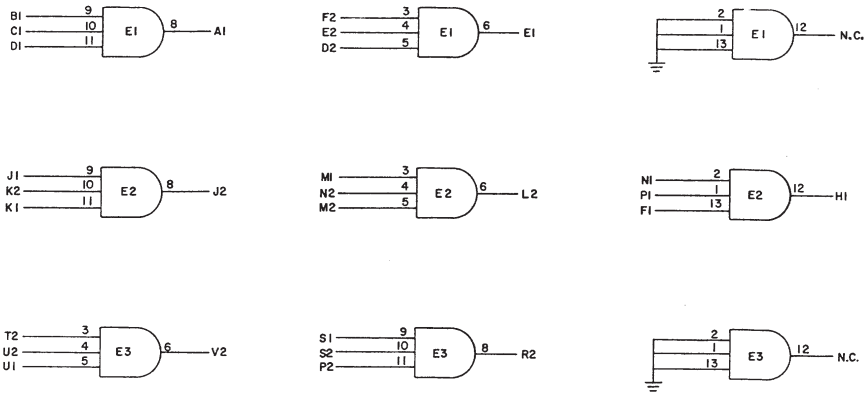
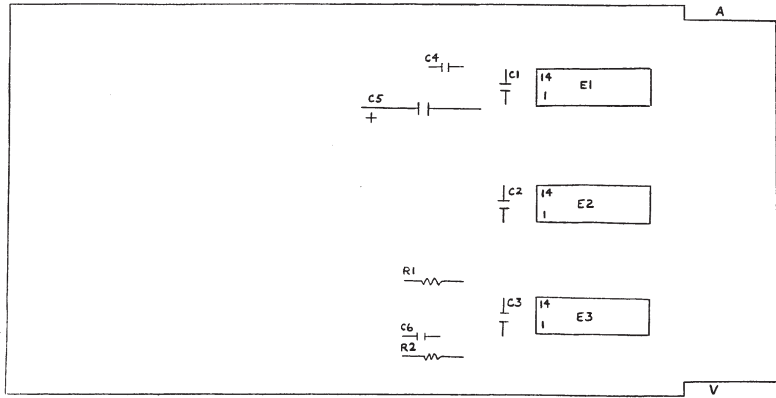
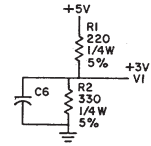
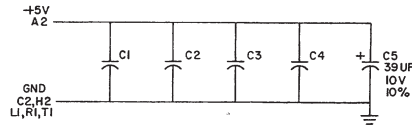


THIS SCHEMATIC IS FURNISHED ONLY FOR TEST AND MAINTENANCE PURPOSES. THE CIRCUITS ARE PROPRIETARY IN NATURE AND SHOULD BE TREATED ACCORDINGLY. COPYRIGHT 1970 BY DIGITAL EQUIPMENT CORPORATION



UNLESS OTHERWISE INDICATED:

CAPACITORS ARE .01UF, 100V, 20%  
IC'S ARE 1074H11  
PIN 7 = GND ON ALL IC'S  
PIN 14 = +5V



ITEM NO.	QTY.	DESCRIPTION	REV.
1.	1	9008337-06 HANDLE, FLIP CHIP - MAGENTA	A
10	2	9006732 EYELET #GS 4-7	A
9	3	I910465 I.C. DEC1074H11	A
8	1	1300295 RES. 330, 1/4W, 5%	A
7	1	1300271 RES. 220, 1/4W, 5%	A
6.	5	1001610 CAP. .01UF, 100V, 20% DISC	A
5.	1	1000076 CAP. 39UF, 10V, 10% S. TANT	A
4.	1	5009290 ETCHED CIRCUIT BOARD	A
3		R-PH-M175-0-6 MODULE ECO HISTORY	
2		C-AH-M175-0-5 ASSY/DRILLING HOLE LAYOUT	
1		R-CO-M175-0-4 X-Y COORDINATE HOLE LOCATION	
PARTS LIST			

REVISIONS  
CHK'D  
REV. NO.  
DATE

DRN J. COOPER DATE 12/17/70  
CHK'D DATE  
ENG DATE  
PROD DATE

TRANSISTOR & DIODE CONVERSION CHART

DEC	EIA	DEC	EIA

digital  
EQUIPMENT  
CORPORATION  
MAYFARL, MASSACHUSETTS

TITLE SEVEN  
3 INPUT AND GATES M175  
SIZE CODE NUMBER REV  
C CS M175-0-1 A  
PRINTED CIRCUIT REV

REV. A  
NUMBER  
M175-0-1  
SIZE CODE  
C CS