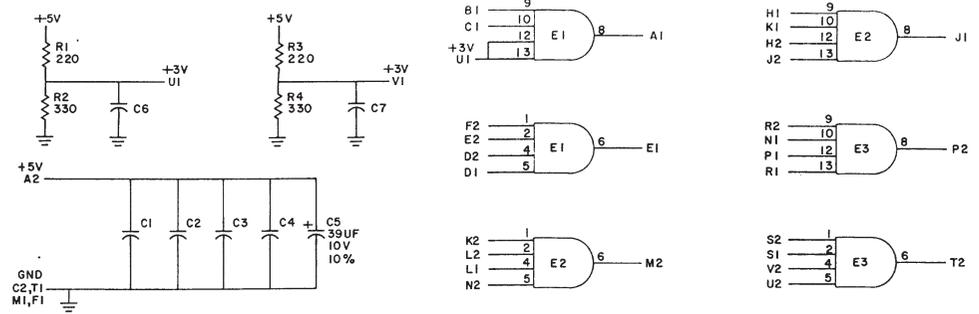
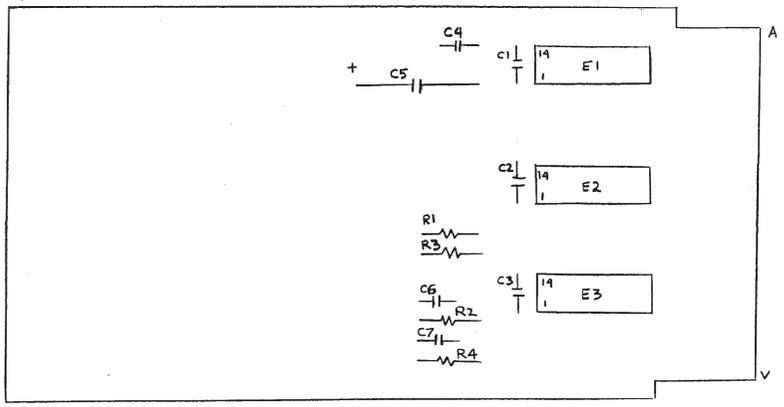


THIS SCHEMATIC IS FURNISHED ONLY FOR TEST AND MAINTENANCE PURPOSES. THE CIRCUITS ARE PROPRIETARY IN NATURE AND SHOULD BE TREATED ACCORDINGLY. COPYRIGHT 1970 BY DIGITAL EQUIPMENT CORPORATION



UNLESS OTHERWISE INDICATED:
 RESISTORS ARE 1/4 W, 5%
 CAPACITORS ARE .01UF, 100V, 20%
 IC'S ARE DEC1074H21
 PIN 7 = GND
 PIN 14 = +5V



ITEM NO.	DEC PART NO.	DESCRIPTION	QTY.
11	9008337-06	HANDLE, FLIP CHIP - MAGENTA	1
10	9006732	EYELET WGS 4-7	2
9	1910467	I.C. DEC1074H21	3
8	1300295	RES. 330, 1/4W, 5%	2
7	1300271	RES. 220, 1/4W, 5%	2
6	1001610	CAP. .01UF, 100V, 20%	6
5	1000076	CAP. .39UF, 10V, 10%	1
4	5009330	ETCHED CIRCUIT BOARD	1
3	B-MH-M177-0-6	MODULE ECO HISTCRY	
2	C-AH-M177-0-5	ASSY/DRILLING HOLE LAYOUT	
1	K-CO-M177-0-4	X-Y COORDINATE HOLE LOCATION	

REVISIONS CHK'D (ENG) BY 000001 A	DRY: <i>M. Lopez</i> DATE: 12/5/70 CHK'D: <i>Joe Miller</i> DATE: 12/7/70 ENG: <i>W. J. H.</i> DATE: / / PROD: DATE: / /	TRANSISTOR & DIODE CONVERSION CHART DEC EIA DEC EIA	TITLE: FIVE 4 INPUT AND GATES M177 digital EQUIPMENT CORPORATION MAYNARD, MASSACHUSETTS	SIZE: C CODE: CS NUMBER: M177-0-1 REV: A PRINTED CIRCUIT REV: A
---	---	--	---	--

DEC FORM NC
 DRV. 10

Perk

REV. A
 NUMBER
 M177-0-1
 SIZE CODE
 C CS