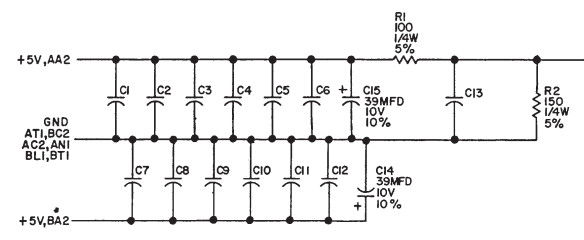
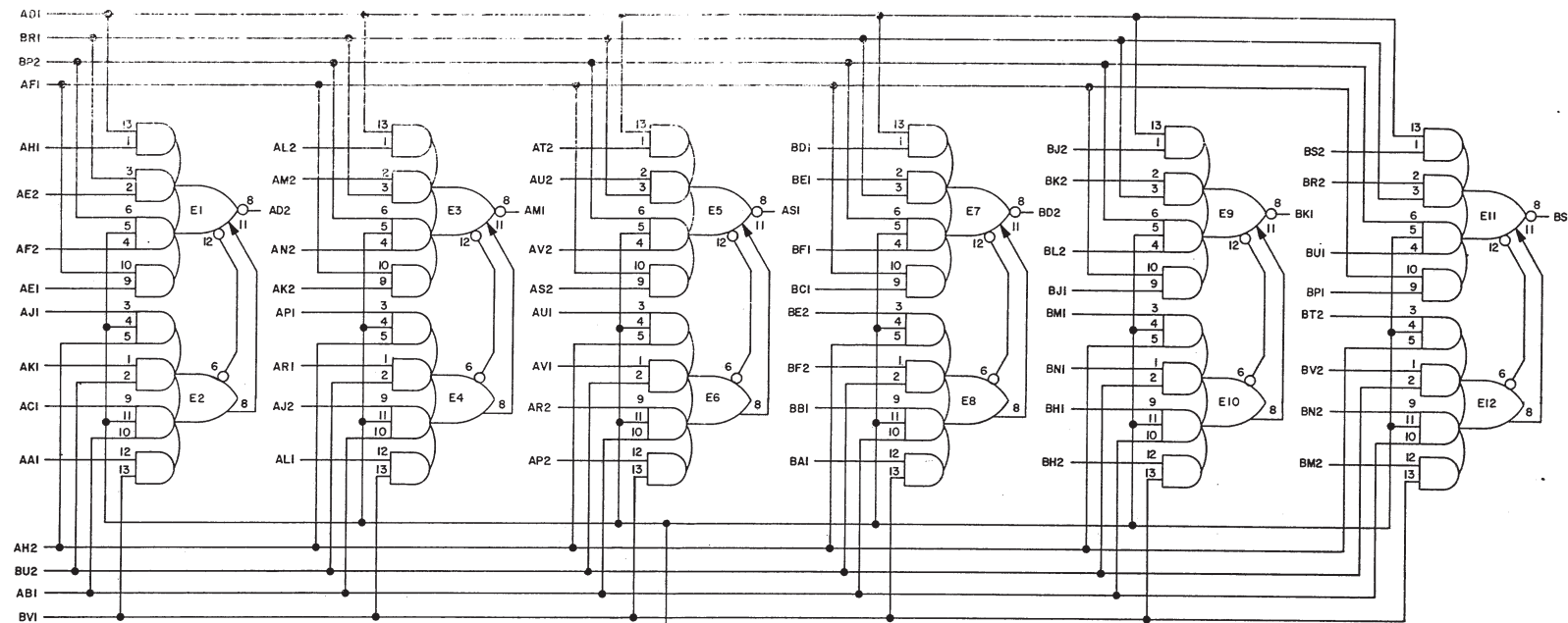


THIS SCHEMATIC IS FURNISHED ONLY FOR REFERENCE PURPOSES. THE CIRCUITS ARE PROPRIETARY IN NATURE AND SHOULD BE TREATED ACCORDINGLY. COPYRIGHT 1970 BY DIGITAL EQUIPMENT CORPORATION



UNLESS OTHERWISE INDICATED:
 CAPACITORS ARE .01MFD, 100V, 20%
 E2, E4, E6, E8, E10, E12 ARE DEC1074H62
 E1, E3, E5, E7, E9, E11 ARE DEC1074H53
 PIN 7 ON EACH IC = GND
 PIN 14 ON EACH IC = +5V

REVISIONS (REV) (CODE) (REV) 1 () () () 2 () () ()	DRN. ALLAN RITCEY CHWD. DATE 1-20-70 ENG. DATE 8-28-70 PROB. DATE 9-7-70	DATE 1-20-70 DATE 8-28-70 DATE 9-7-70 DATE 10/2/70	TRANSISTOR & DIODE CONVERSION CHART DEC EIA DEC EIA	TITLE digital 8X6 DATA MIXER MI78 EQUIPMENT CORPORATION MAYNARD, MASSACHUSETTS	SIZE CODE NUMBER REV C CS MI78-O-1 B
	PRINTED CIRCUIT REV. B				B

REV. B
 NUMBER MI78-O-1
 SIZE CODE C CS

DEC FORM NO. DRC 102

MI78-01