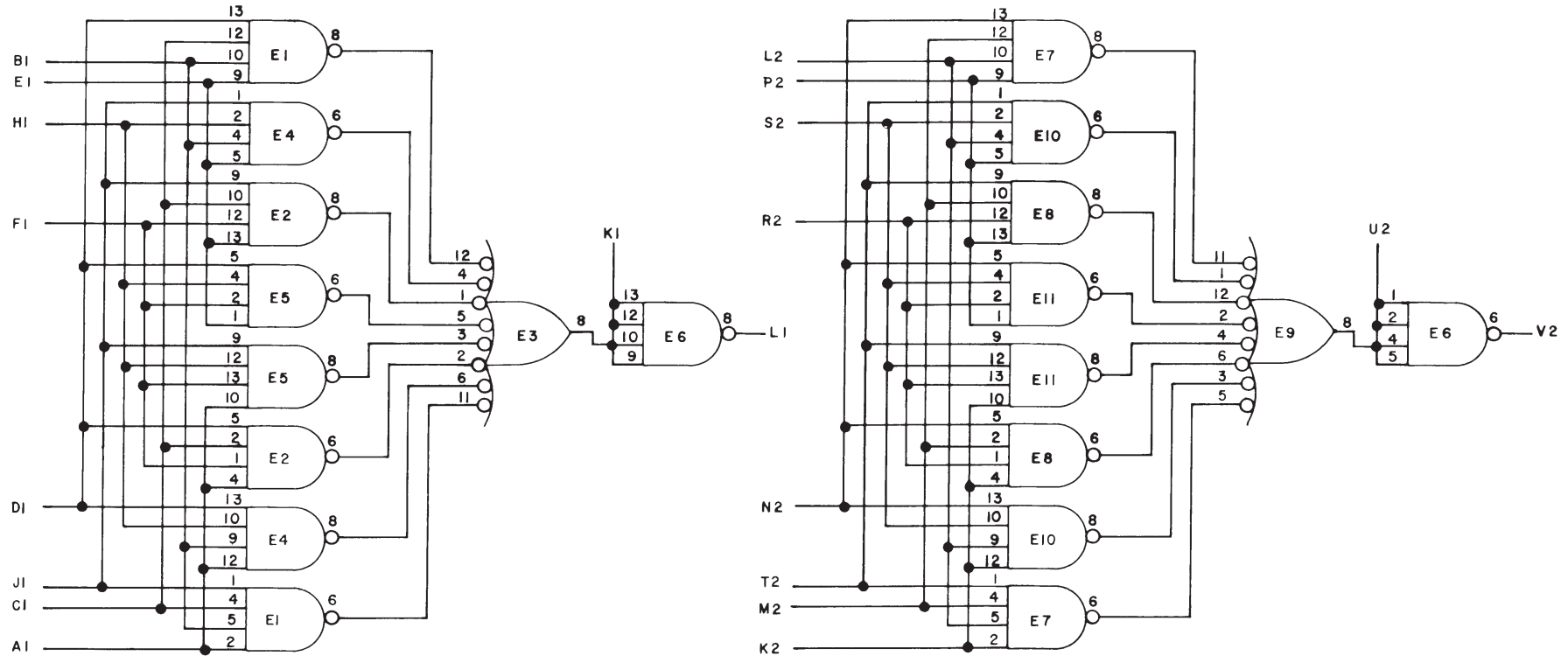
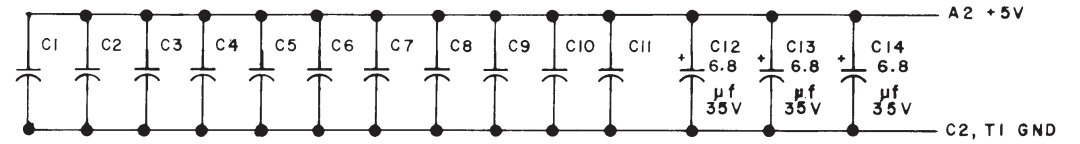


THIS SCHEMATIC IS FURNISHED ONLY FOR TEST AND MAINTENANCE PURPOSES. THE CIRCUITS ARE PROPRIETARY IN NATURE AND SHOULD BE TREATED ACCORDINGLY. COPYRIGHT 1970 BY DIGITAL EQUIPMENT CORPORATION



UNLESS OTHERWISE INDICATED:  
 CAPACITORS ARE .01 μf, 100V, 20 %  
 PIN 7 ON EACH IC = GND  
 PIN 14 ON EACH IC = +5V  
 E1, E2, E4, E5, E6, E7, E8, E10, & E11, ARE DEC74H20N  
 E3, & E9 ARE DEC74H30N  
 USE M162 ETCH BOARD



REVISIONS	CHK/CHG NO	REV.

DRN <i>Nancy Moore</i>	DATE 2/13/70
CHK'D <i>Dawall</i>	DATE 3-9-70
ENG <i>H. B. ...</i>	DATE 5/17/70
PROD	DATE

TRANSISTOR & DIODE CONVERSION CHART			
DEC		EIA	

**digital** EQUIPMENT CORPORATION  
 MAYNARD, MASSACHUSETTS

TITLE: PARITY CIRCUIT M182

SIZE B	CODE CS	NUMBER M182-0-1	REV.
-----------	------------	--------------------	------

PRINTED CIRCUIT REV. B