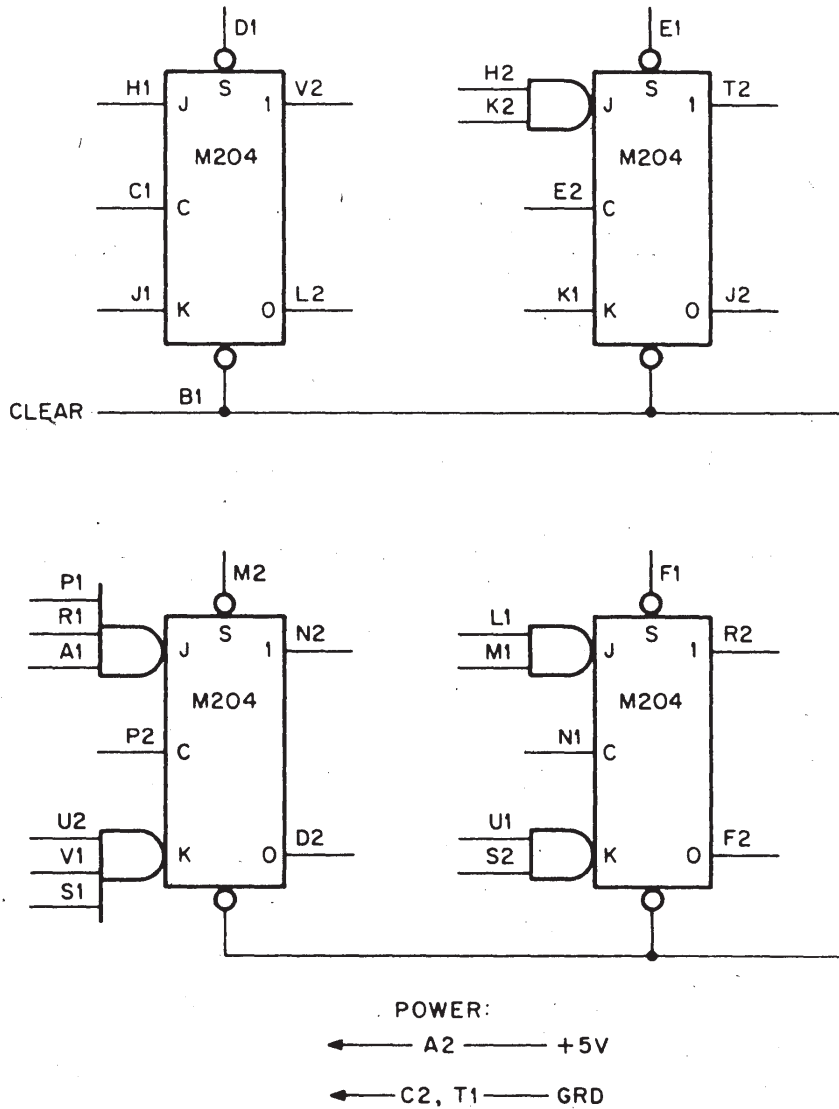


**GENERAL-PURPOSE  
BUFFER AND COUNTER  
TYPE M204**

**M  
SERIES**

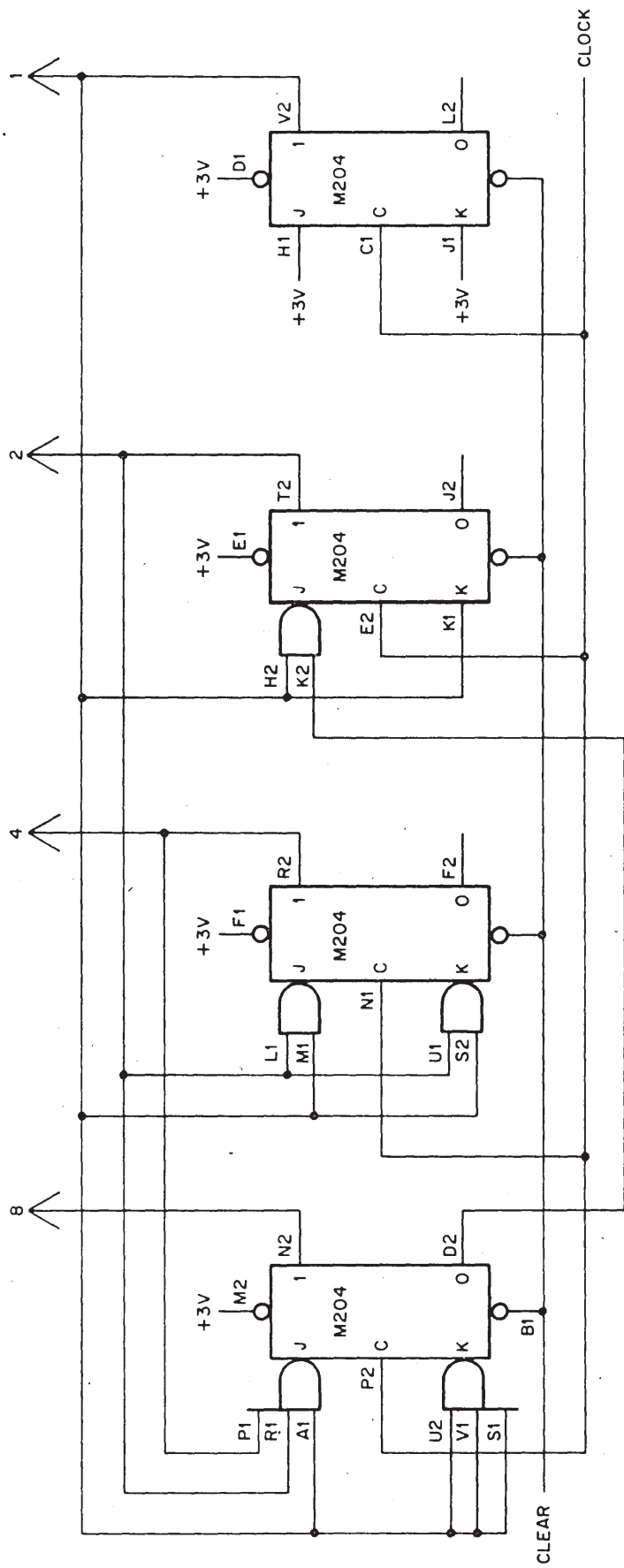


**M204 GENERAL-PURPOSE BUFFER AND COUNTER**

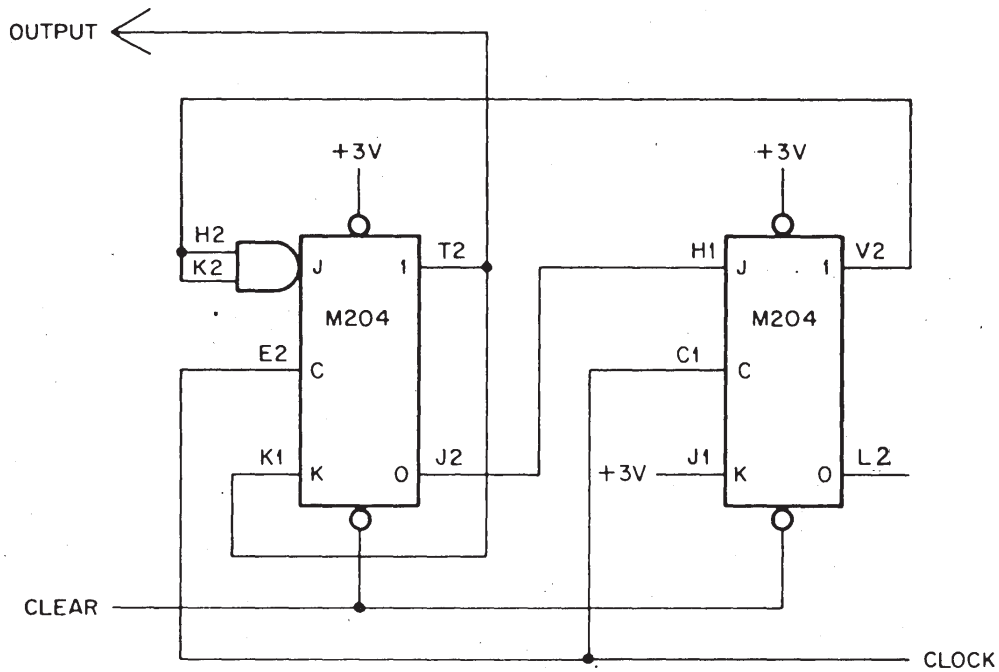
The M204 contains four J-K type flip-flops, augmented by multiple-input AND gates, for general use as gated control flip-flops or buffers. The gating scheme permits the formation of counters of most moduli up to 16, by simple connector wiring. Clock, trigger and input lines for each flip-flop are independent. A common CLEAR input is provided.

Logical operation of the J-K flip-flops used in this module is identical to the M207 (described in detail) except for the addition of dc set inputs.

Two typical counting configurations are shown below:



8-4-2-1 BCD UP COUNTER



MODULUS 3

Other combinations for counter construction are explained thoroughly in application note AP-M-01 which may be obtained from the nearest DIGITAL EQUIPMENT Sales Office.

**Inputs:** The "C" inputs present two unit loads each to the source. The dc set ("S") inputs present two unit loads each. The common CLEAR line presents 8 unit loads. All other inputs present one unit load to the source.

**Outputs:** Each output, before interconnection as a counter, is capable of driving 10 unit loads.

**Power:** +5 volts, 40 ma (avg.)

---

M204 — \$36.00

---