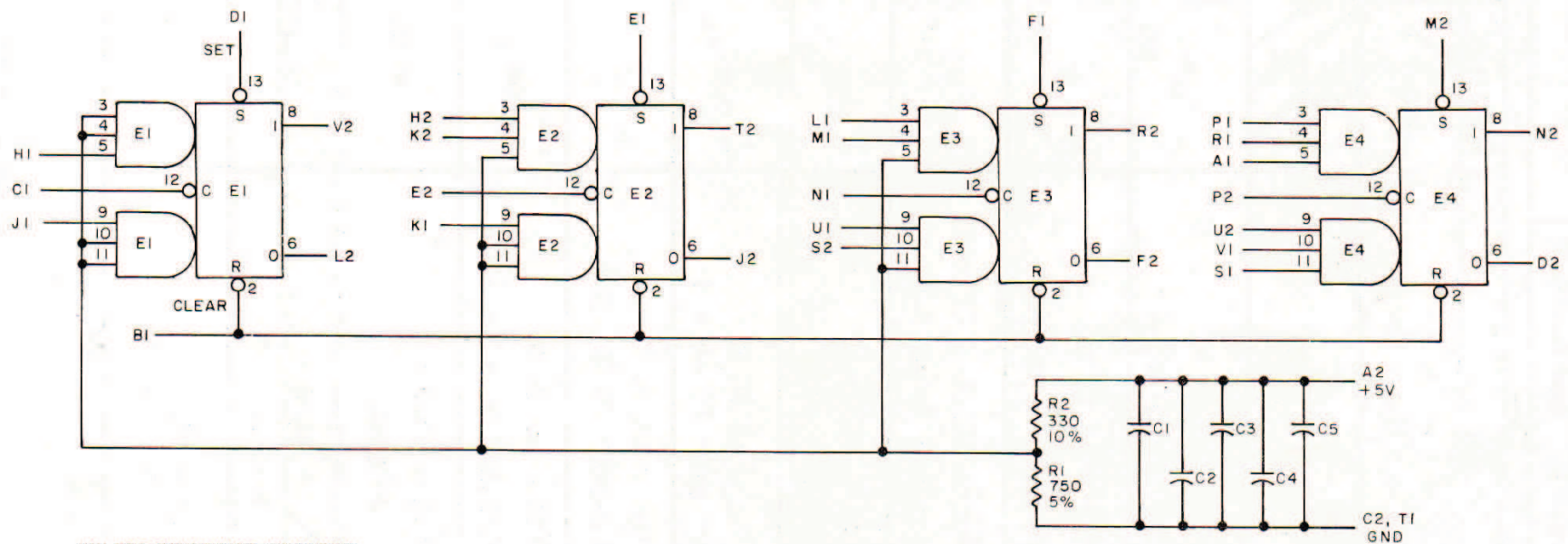


THIS SCHEMATIC IS FURNISHED ONLY FOR TEST AND MAINTENANCE PURPOSES. THE CIRCUITS ARE PROPRIETARY IN NATURE AND SHOULD BE TREATED ACCORDINGLY. (COPYRIGHT) 1967 BY DIGITAL EQUIPMENT CORPORATION



UNLESS OTHERWISE INDICATED:
 IC'S ARE DEC7472N
 PIN 7 ON EACH IC = GND
 PIN 14 ON EACH IC = +5V
 CAPACITORS ARE .01 MFD
 RESISTORS ARE 1/4W

TRANSISTOR & DIODE CONVERSION CHART			
DEC	EIA	DI	DA

digital
 EQUIPMENT CORPORATION
 MASSACHUSETTS

COUNTER-BUFFER M204
 B CS M204-0-1 A