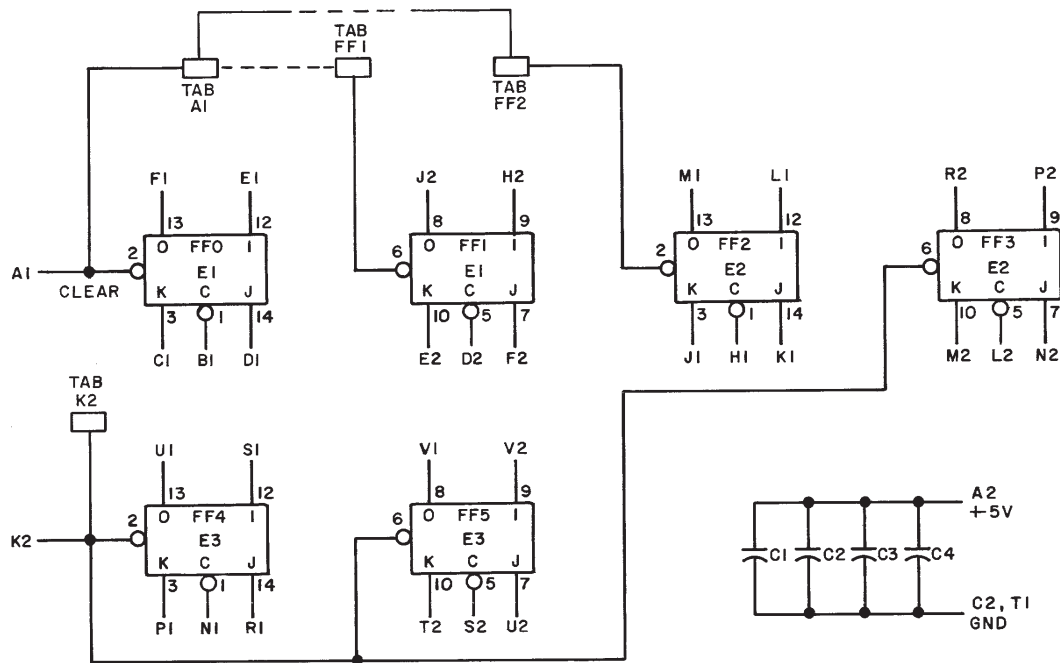


THIS SCHEMATIC IS FURNISHED ONLY FOR TEST AND MAINTENANCE PURPOSES. THE CIRCUITS ARE PROPRIETARY IN NATURE AND SHOULD BE TREATED ACCORDINGLY. COPYRIGHT 1967 BY DIGITAL EQUIPMENT CORPORATION



NOTES:
 PIN 4 ON EACH IC = +5V
 PIN 11 ON EACH IC = GND
 ---- INDICATES JUMPER
 JUMPER CAN BE INSTALLED BY
 CUSTOMER BETWEEN FF2 & K2,
 AND BETWEEN FF1 & K2

E1 THRU E3	INTEGRATED CKT. DEC7473N	1905587
C1 THRU C4	CAP. .01MFD 100V 20% DISC	1001610
	PARTS LIST	A-PL-M207-0-0
REFERENCE DESIGNATION	DESCRIPTION	PART NO.
PARTS LIST		

REV.	CHK	CHG	NO.	REV.
A	9809			
B	00001			
E	00002			

DRN. <i>M. Keller</i>	DATE 4-21-67
CHK'D <i>[Signature]</i>	DATE 5-17-67
ENG. <i>[Signature]</i>	DATE 5-22-67
PROD.	DATE

TRANSISTOR & DIODE CONVERSION CHART			
DEC		EIA	

digital
 EQUIPMENT CORPORATION
 MAYNARD, MASSACHUSETTS

TITLE FLIP-FLOP M207			
SIZE B	CODE CS	NUMBER M207-0-1	REV. E
PRINTED CIRCUIT REV.			E

M207-3