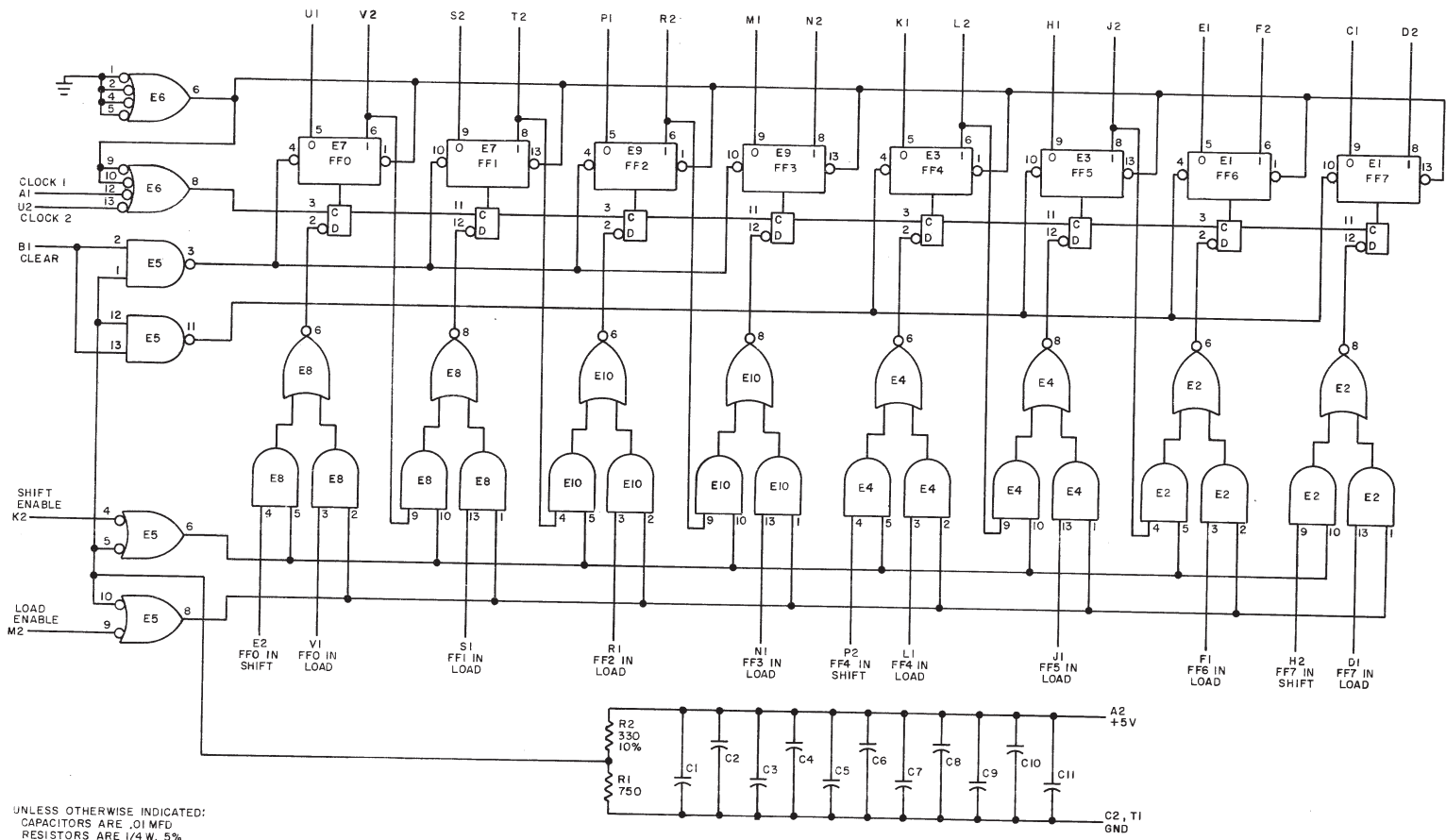


THIS SCHEMATIC IS FURNISHED ONLY FOR TEST AND MAINTENANCE PURPOSES. THE INFORMATION IS IN NATURE AND SHOULD BE TREATED ACCORDINGLY. COPYRIGHT 1967 BY DIGITAL EQUIPMENT CORPORATION



UNLESS OTHERWISE INDICATED:
 CAPACITORS ARE .01MFD
 RESISTORS ARE 1/4 W, 5%
 E6 IS DEC74H40N
 E8 IS DEC7400N
 E2, E4, E8, & E10 ARE DEC7450N
 E1, E3, E7, & E9 ARE DEC7474N
 PIN 7 ON EACH IC = GND
 PIN 14 ON EACH IC = +5V

REV. B
 NUMBER M208-0-1
 SIZE CODE CS

REVISION	DATE	BY	CHKD
1	5-11-67	W	
2			
3			

DRN.	DATE
W. Waller	5-11-67
CHK'D	DATE
	12
ENG.	DATE
	12
PROD.	DATE

TRANSISTOR & DIODE CONVERSION CHART			
DEC	EIA	DEC	EIA

digital
 EQUIPMENT CORPORATION
 MAYNARD, MASSACHUSETTS

TITLE		NUMBER		REV
BUFFER-SHIFT REGISTER M208		M208-0-1		B
SIZE CODE	C	CS		
PRINTED CIRCUIT REV.				C