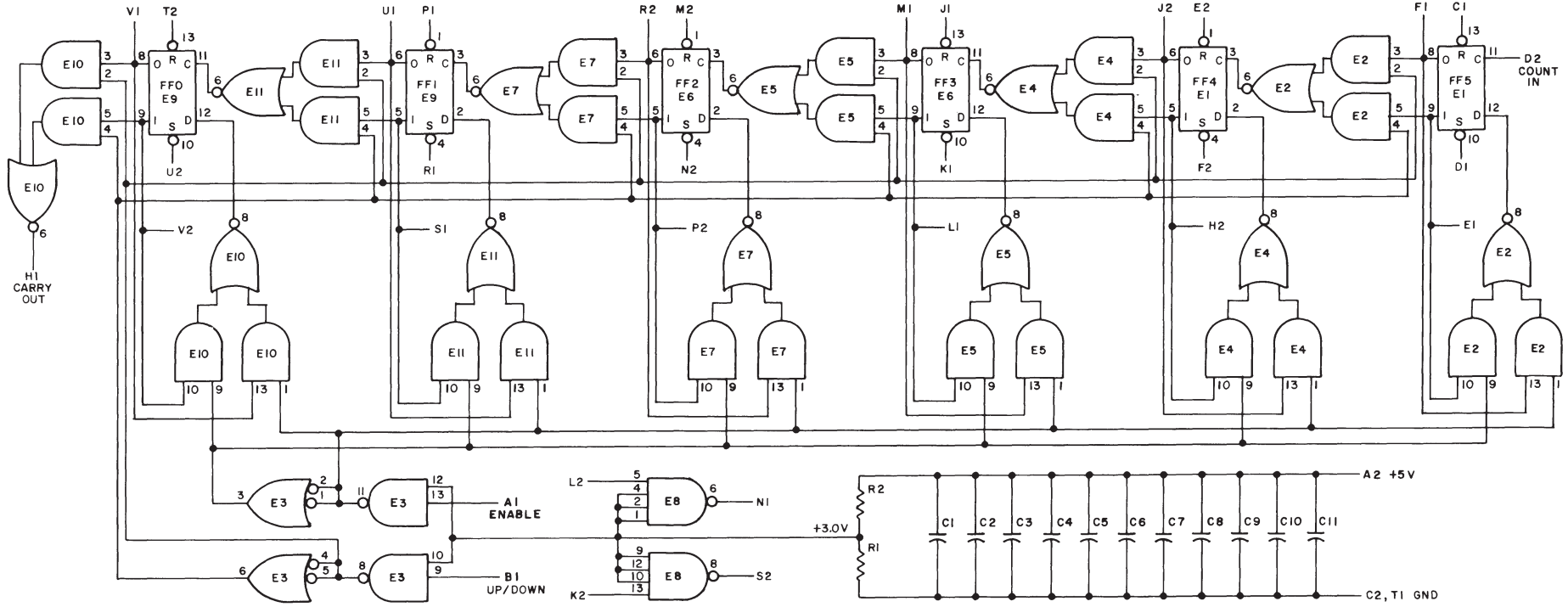


THIS SCHEMATIC IS FURNISHED ONLY FOR TEST AND MAINTENANCE PURPOSES. THE CIRCUITS ARE PROPRIETARY IN NATURE AND SHOULD BE TREATED ACCORDINGLY. COPYRIGHT 1967 BY DIGITAL EQUIPMENT CORPORATION

M211-2



NOTES:  
 PIN 7 ON EACH IC = GND  
 PIN 14 ON EACH IC = +5V  
 DEC7451N MAY BE USED IN PLACE OF DEC7450N

E8	INTEGRATED CKT. DEC7440N	1905579
E3	INTEGRATED CKT. DEC7400N	1905575
E2, E4, E5, E7, E10, E11	INTEGRATED CKT. DEC7450N	1905580
E1, E6, E9	INTEGRATED CKT. DEC7474N	1905547
R2	RES. 3.3K 1/4W 5% CC	1300439
R1	RES. 7.5K 1/4W 5% CC	1301422
C1 THRU C11	CAP. .01MFD 100V 20% DISC	1001610
PARTS LIST		A-PL-M211-0-0
REFERENCE DESIGNATION	DESCRIPTION	PART NO.

REVISIONS	CHK CHG NO. REV.	DATE	DRN	DATE	TRANSISTOR & DIODE CONVERSION CHART	<p><b>digital</b> EQUIPMENT CORPORATION MAYNARD, MASSACHUSETTS</p>	TITLE	NUMBER	REV.
	1		225	10-12-67	DEC		BINARY UP/DOWN COUNTER M211	M211-0-1	C
	2		White	10/15/67	EIA				
	3			10/15/67	DEC				
	4								
	5								
	6								
	7								
	8								
	9								
	10								
	11								
	12								
	13								
	14								
	15								
	16								
	17								
	18								
	19								
	20								
	21								
	22								
	23								
	24								
	25								
	26								
	27								
	28								
	29								
	30								
	31								
	32								
	33								
	34								
	35								
	36								
	37								
	38								
	39								
	40								
	41								
	42								
	43								
	44								
	45								
	46								
	47								
	48								
	49								
	50								
	51								
	52								
	53								
	54								
	55								
	56								
	57								
	58								
	59								
	60								
	61								
	62								
	63								
	64								
	65								
	66								
	67								
	68								
	69								
	70								
	71								
	72								
	73								
	74								
	75								
	76								
	77								
	78								
	79								
	80								
	81								
	82								
	83								
	84								
	85								
	86								
	87								
	88								
	89								
	90								
	91								
	92								
	93								
	94								
	95								
	96								
	97								
	98								
	99								
	100								

DEC FORM NO. DRC 102

4 DIST. 324,434,435 PINX

REV. C  
 NUMBER  
 M211-0-1  
 CS