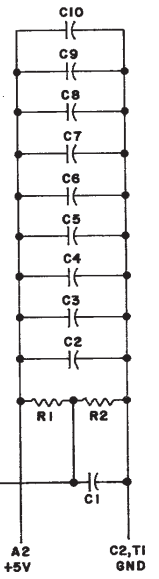
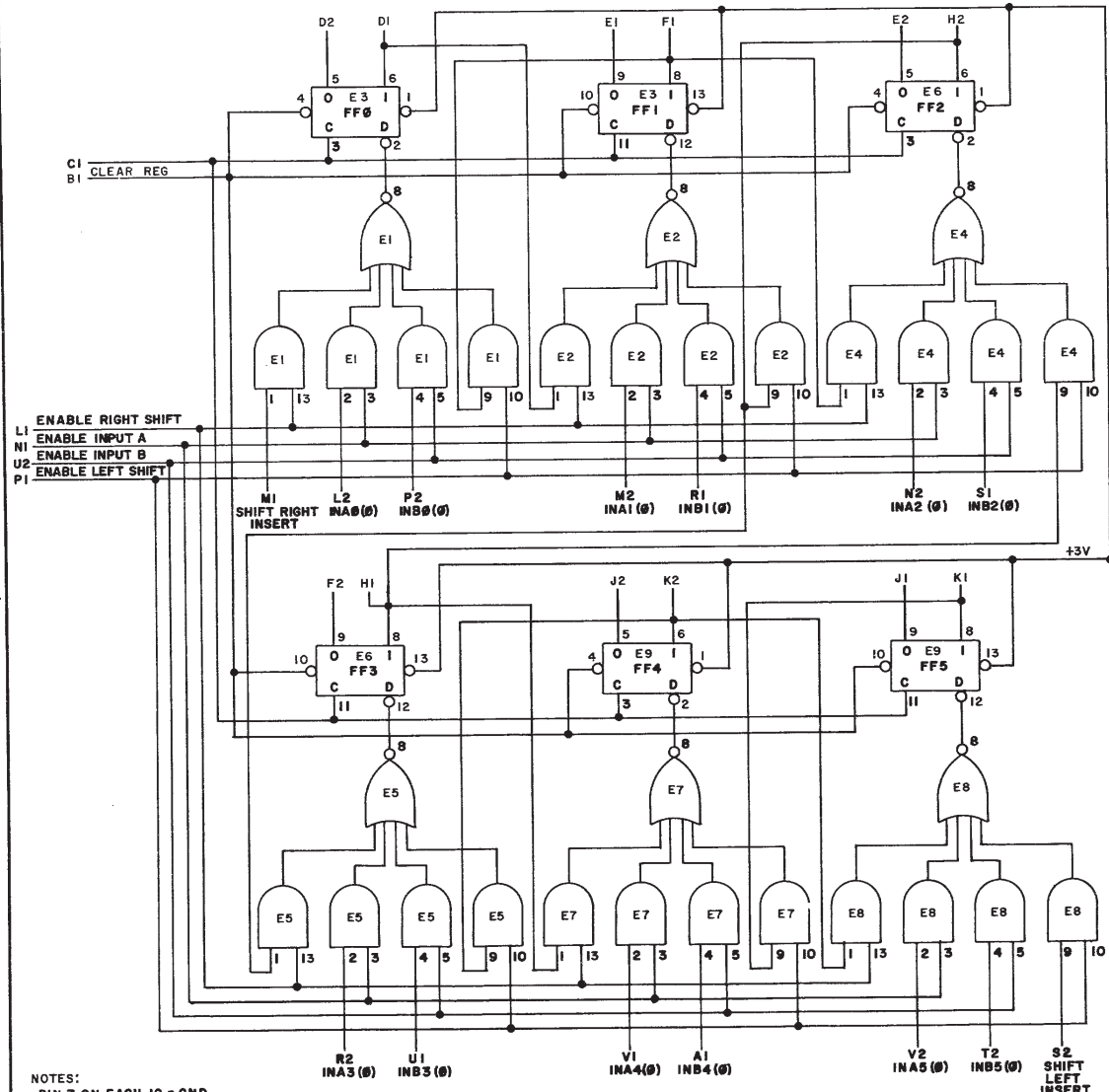


THIS SCHEMATIC IS FURNISHED ONLY FOR TEST AND MAINTENANCE PURPOSES. THE CIRCUITS ARE PROPRIETARY IN NATURE AND SHOULD BE TREATED ACCORDINGLY. COPYRIGHT 1967 BY DIGITAL EQUIPMENT CORPORATION



NOTES:
PIN 7 ON EACH IC = GND
PIN 14 ON EACH IC = +5V

E3, E6, E9	INTEGRATED CKT. DEC7474N	1905547
E1, E2, E4, E5, E7, E8	INTEGRATED CKT. DEC7453N	1905582
R2	RES. 3K 1/4W 5% CC	1300432
R1	RES. 1.5K 1/4W 5% CC	1300391
C1 - C10	CAP. .01MFD 100V 20% DISC	1001610
	PARTS LIST	A-PL-M212-0-0
REFERENCE DESIGNATION	DESCRIPTION	PART NO.
PARTS LIST		

REVISIONS	CHKD	DATE

DRN. <i>Mr. Walker</i>	DATE <i>11-16-67</i>
CHKD <i>R. Schmitt</i>	DATE <i>11/20/67</i>
ENG. <i>R. Schmitt</i>	DATE <i>11/16/67</i>
PROD. <i>2</i>	DATE

TRANSISTOR & DIODE CONVERSION CHART			
DEC	EIA	DEC	EIA

digital TITLE **6 BIT L-R SHIFT REGISTER M212**

EQUIPMENT CORPORATION SIZE CODE NUMBER REV. **B**

MAYNARD, MASSACHUSETTS C CS **M212-0-1**

PRINTED CIRCUIT REV. **B**

REV. B
NUMBER M212-0-1
SIZE CODE C CS