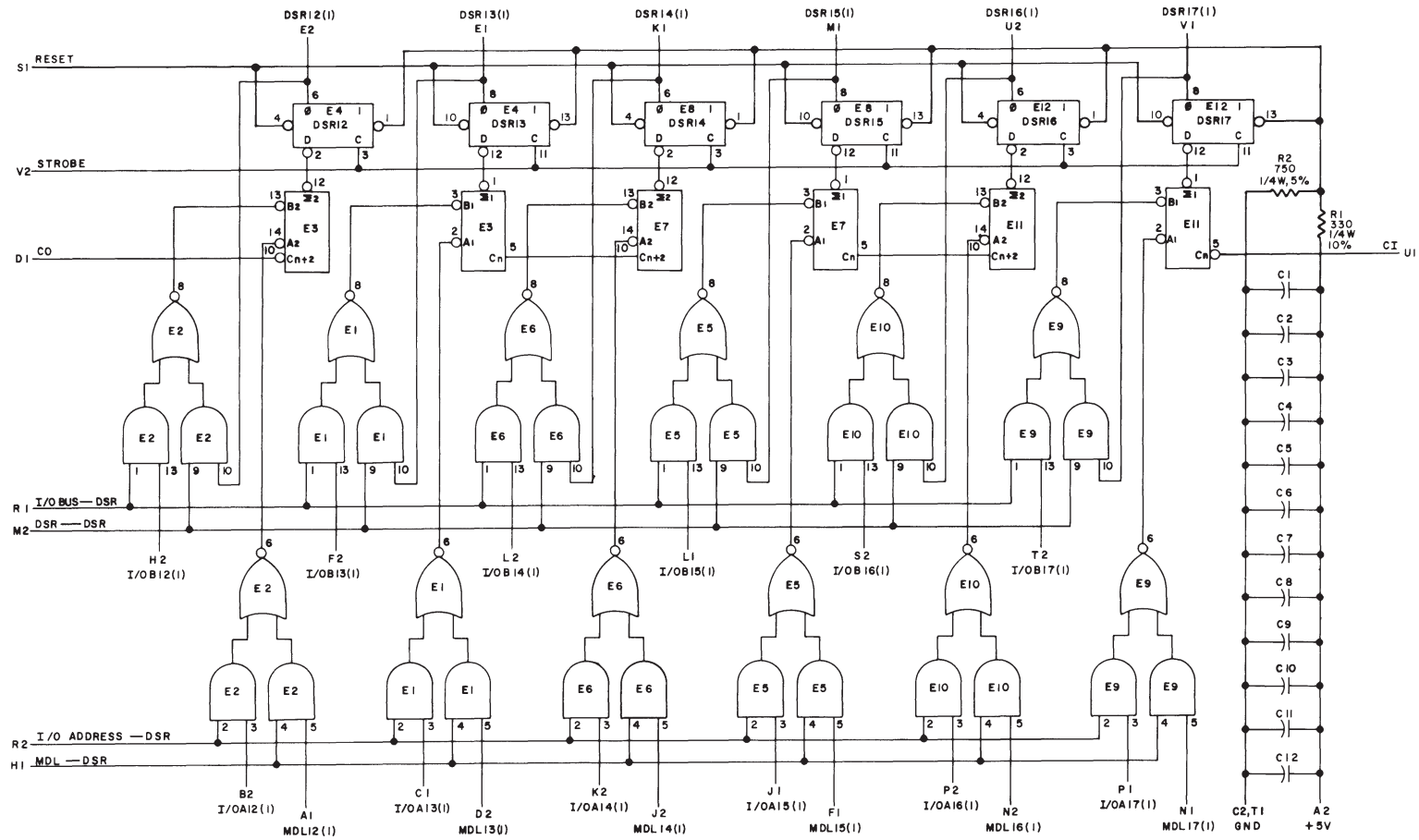


THIS SCHEMATIC IS FURNISHED ONLY FOR TEST AND MAINTENANCE PURPOSES. THE CIRCUITS ARE PROPRIETARY IN NATURE AND SHOULD BE TREATED ACCORDINGLY. COPYRIGHT 1969 BY DIGITAL EQUIPMENT CORPORATION.



UNLESS OTHERWISE INDICATED:  
 PIN 7 ON EACH IC (EXCEPT E3, E7, E11) = GND  
 PIN 14 ON EACH IC (EXCEPT E3, E7, E11) = +5V  
 PIN 4 ON E3, E7, E11 = +5V  
 PIN 11 ON E3, E7, E11 = GND  
 E4, E8, E12 ARE DEC7474  
 E3, E7, E11 ARE DEC7482  
 E1, E2, E5, E6, E9, E10 ARE DEC 7450  
 CAPACITORS ARE .01uf, 100V, 20%

M214-2

REVISIONS CHK CHG NO REV 10000 7	DRN: <i>W. Sullivan</i> DATE: 3-10-69 CHK'D: <i>G. Yarnes</i> DATE: 3-18-69 EN'D: <i>W. Sullivan</i> DATE: 5-2-69 PROD:	TRANSISTOR & DIODE CONVERSION CHART DEC    EIA    DEC    EIA				digital EQUIPMENT CORPORATION MAYNARD, MASSACHUSETTS	TITLE DATA STORAGE REGISTER M214		
		SIZE C CS		NUMBER M214-0-1			REV B		
DEC FORM NO. DRC 102		PRINTED CIRCUIT REV B				DIST. 324,434,435 1/10K			

REV. B  
 NUMBER M214-0-1  
 SIZE CODE C CS