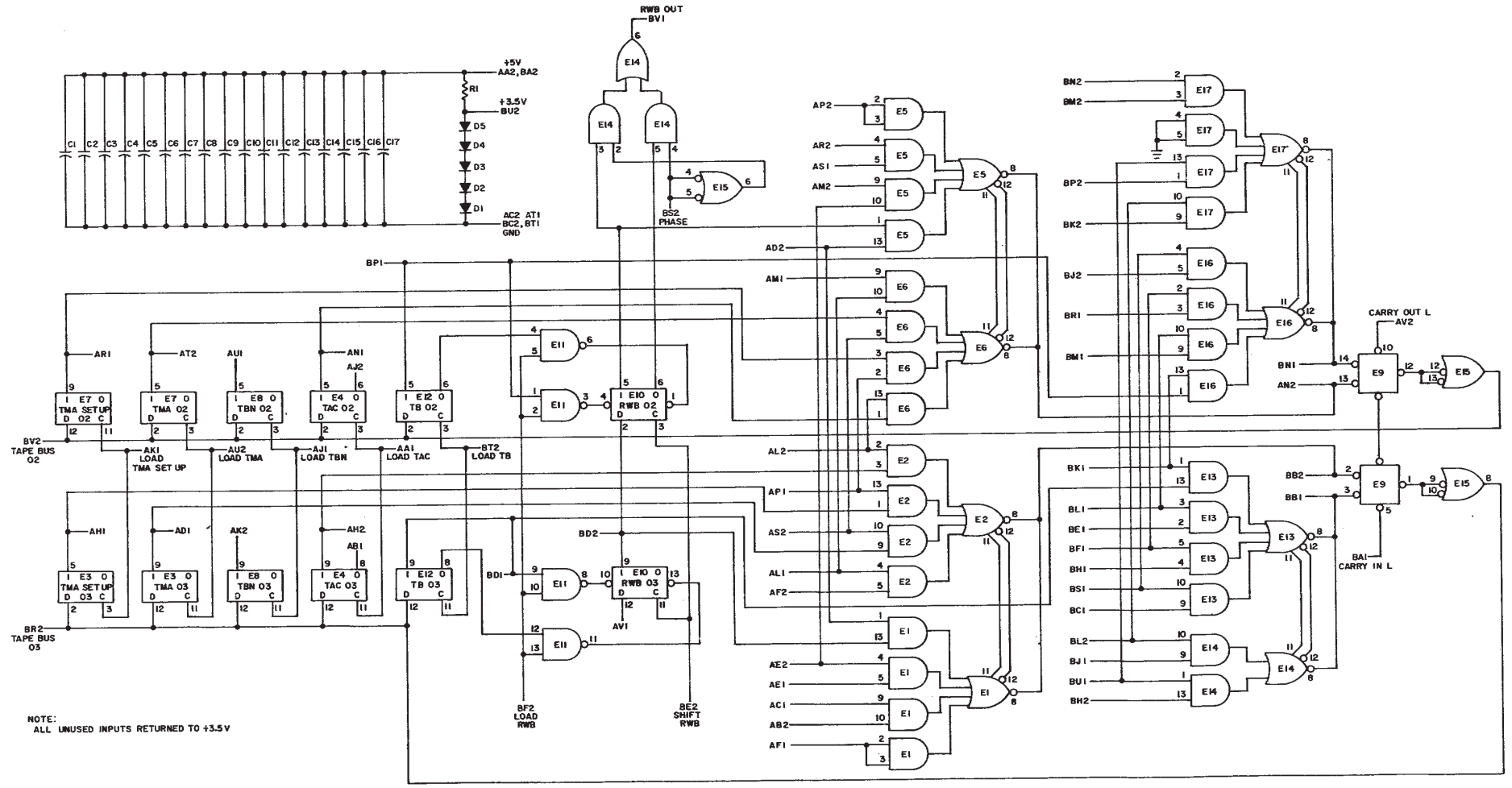


THIS SCHEMATIC IS FURNISHED ONLY FOR TEST AND MAINTENANCE PURPOSES. THE CIRCUITS ARE PROPRIETARY IN NATURE AND SHOULD BE TREATED ACCORDINGLY. COPYRIGHT 1968 BY DIGITAL EQUIPMENT CORPORATION.



NOTE:
 ALL UNUSED INPUTS RETURNED TO +3.5V

REFERENCE DESIGNATION	DESCRIPTION	PART NO.
D1-D5	DIODE D662	1100113
E14	INTEGRATED CKT. DEC7400N	1905580
E1, E2, E5, E6, E13, E16, E17	INTEGRATED CKT. DEC7403N	1905582
E11, E15	INTEGRATED CKT. DEC7400N	1905575
E9	INTEGRATED CKT. DEC7482N	1905584
E3, E4, E7, E8, E10, E12	INTEGRATED CKT. DEC7474N	1905547
E1	RES. 220 1/4W 5% CO	1300271
C1 - C17	CAP. .01 MFD 100V 20% DISC	1001610
PARTS LIST		APL-M222-Q-0

TRANSISTOR & DIODE CONVERSION CHART				TITLE							
DATE	BY	DEC	JAN	DEC	JAN						
1968	...										
<table border="1"> <tr> <td>REVISED BY</td> <td>DATE</td> <td>BY</td> </tr> <tr> <td>...</td> <td>...</td> <td>...</td> </tr> </table>				REVISED BY	DATE	BY	digital EQUIPMENT CORPORATION PAPERED CONCEPT REV.	
REVISED BY	DATE	BY									
...									
LINC TAPE REGISTER M222 NUMBER 1905547 CS M222-Q-1 PART NO.				REV. A 1							