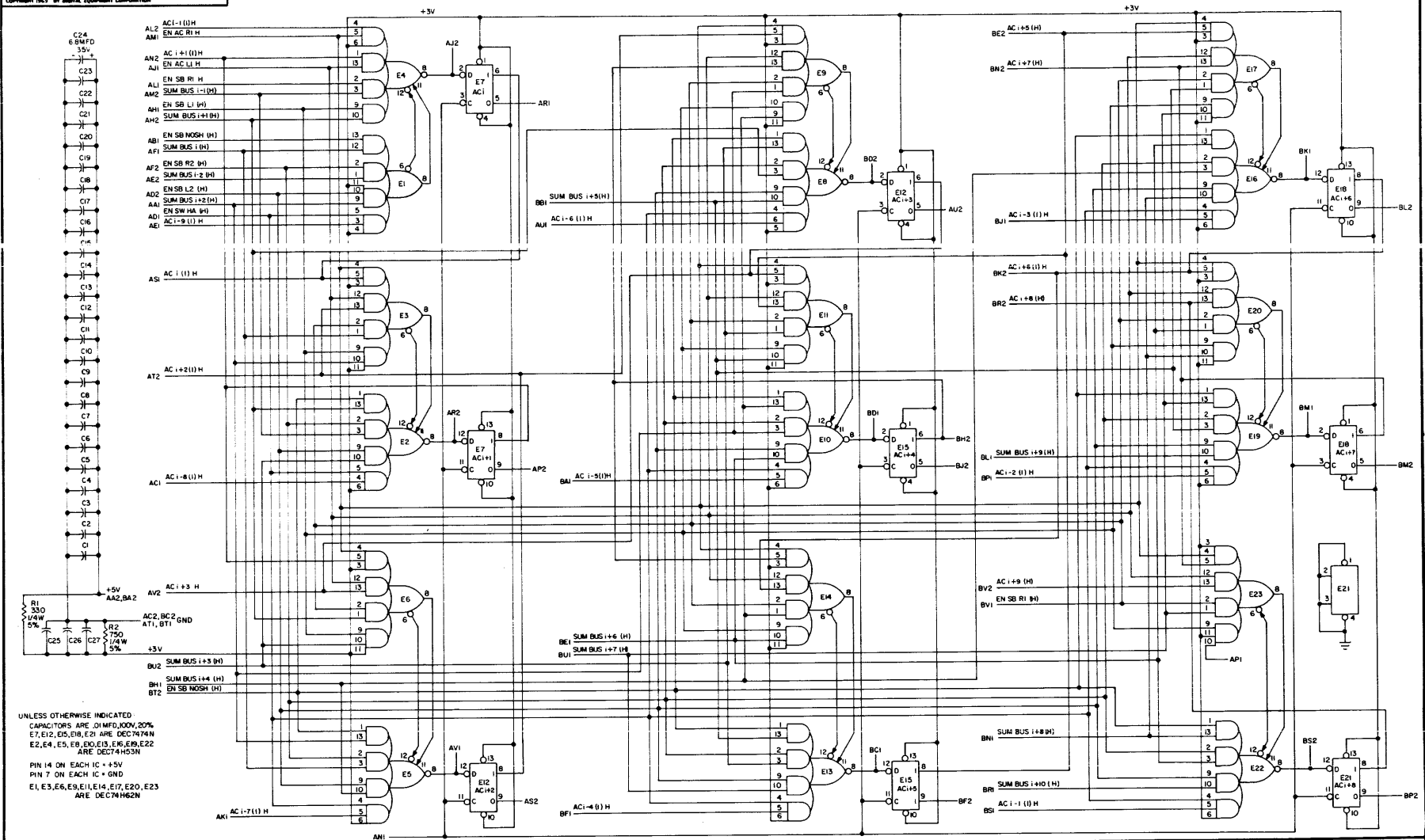


THIS SCHEMATIC IS PROVIDED ONLY FOR TEST AND MAINTENANCE PURPOSES. THE CIRCUIT AND INTERCONNECTIONS ARE SUBJECT TO CHANGE WITHOUT NOTICE. COPYRIGHT 1963 BY BENTON EQUIPMENT CORPORATION



UNLESS OTHERWISE INDICATED:  
 CAPACITORS ARE .01MFD, 50V, 20%  
 E1, E10, E15, E18, E19 ARE DEC7474N  
 E2, E4, E5, E8, E9, E10, E13, E16, E18, E22  
 ARE DEC74H53N  
 PIN 14 ON EACH IC - +5V  
 PIN 7 ON EACH IC - GND  
 E1, E3, E6, E9, E11, E14, E17, E20, E23  
 ARE DEC74H62N

1 2 3 4 5 6 7 8 9 10 11 12 13 14 15 16 17 18 19 20 21 22 23 24 25 26 27 28 29 30 31 32 33 34 35 36 37 38 39 40 41 42 43 44 45 46 47 48 49 50 51 52 53 54 55 56 57 58 59 60 61 62 63 64 65 66 67 68 69 70 71 72 73 74 75 76 77 78 79 80 81 82 83 84 85 86 87 88 89 90 91 92 93 94 95 96 97 98 99 100	BENTON EQUIPMENT CORPORATION 12101 W. 11th St., Omaha, NE 68154 TEL: 402-426-1111 FAX: 402-426-1112		EQUIPMENT CORPORATION BENTON M227-0-1		SHIFTER AC M227
	DATE: 12/13/62 BY: J. G. W. / J. G. W.		EQUIPMENT CORPORATION BENTON M227-0-1		SHIFTER AC M227
	12/13/62 J. G. W. / J. G. W.		EQUIPMENT CORPORATION BENTON M227-0-1		SHIFTER AC M227
	12/13/62 J. G. W. / J. G. W.		EQUIPMENT CORPORATION BENTON M227-0-1		SHIFTER AC M227