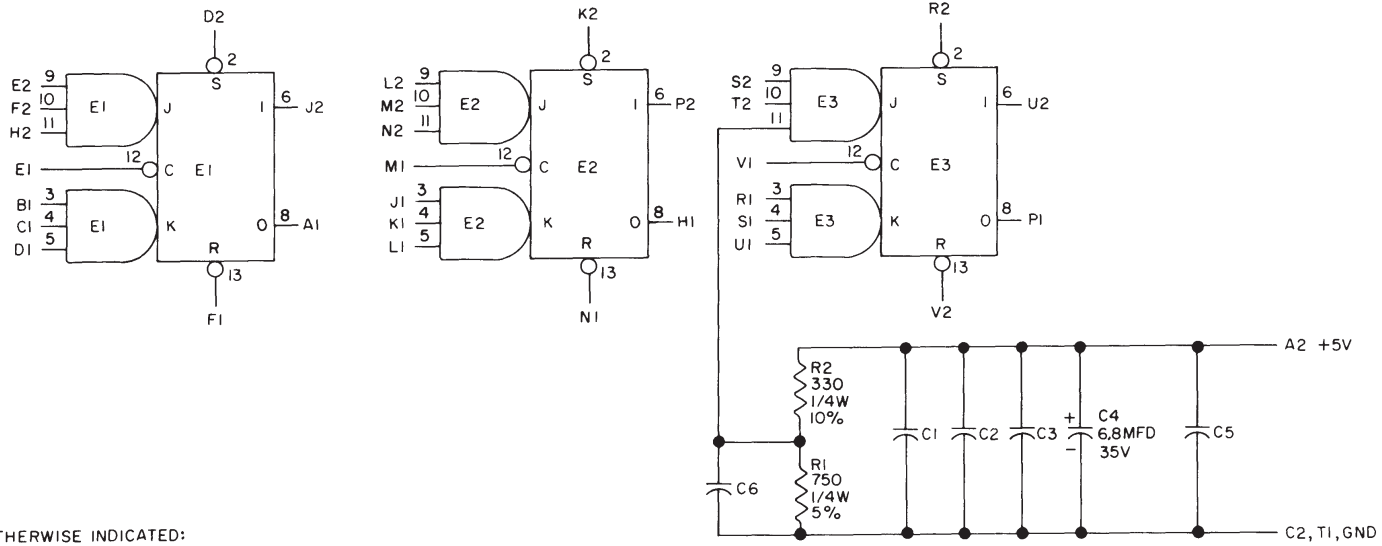


THIS SCHEMATIC IS FURNISHED ONLY FOR TEST AND MAINTENANCE PURPOSES. THE CIRCUITS ARE PROPRIETARY IN NATURE AND SHOULD BE TREATED ACCORDINGLY. COPYRIGHT 1969 BY DIGITAL EQUIPMENT CORPORATION



UNLESS OTHERWISE INDICATED:  
 CAPACITORS ARE .01MFD, 100V  
 IC'S ARE DEC74H72N  
 PIN 7 ON EACH IC = GND  
 PIN 14 ON EACH IC = +5V

REVISIONS	CHK	CHG	NO	REV

DRN. <i>R. E. ...</i>	DATE <i>10/1/69</i>
CHK'D <i>G. ...</i>	DATE <i>9-8-69</i>
ENG. <i>...</i>	DATE <i>...</i>
PROD.	DATE

TRANSISTOR & DIODE CONVERSION CHART			
DEC	EIA	DEC	EIA

**digital**  
 EQUIPMENT CORPORATION  
 MAYNARD, MASSACHUSETTS

TITLE TRIPLE J.K. FLIP-FLOP M242			
SIZE B	CODE CS	NUMBER M242-0-1	REV
PRINTED CIRCUIT REV.			A