

M246

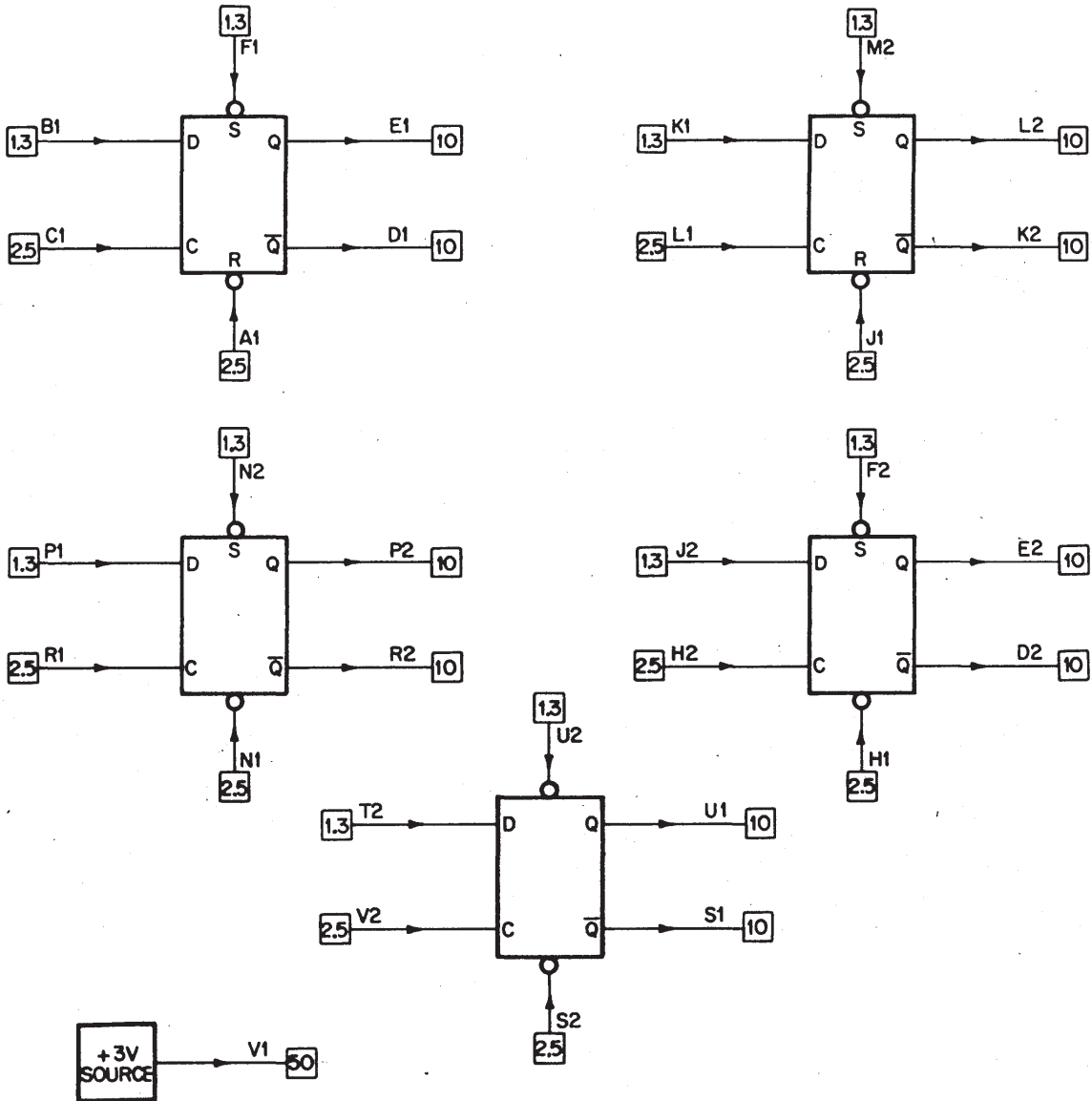
5 D-TYPE FLIP-FLOPS

FLIP-FLOPS

M SERIES

Length: Standard
 Height: Single
 Width: Single

Price
\$21



Volts	Power	Pins
+5	mA (max.)	A2
GND	160	C2, M1, T1

The M246 module contains five high-speed, general-purpose, D-type flip-flops. Each flip-flop has its SET(S), RESET(R), CLOCK(C), DATA(D), and outputs brought out to separate pins.

The information at the D or DATA input is transferred to the Q output on the positive-going edge of the CLOCK pulse. The CLOCK-triggering occurs at a voltage level of the CLOCK pulse and is not directly related to the transition time of the positive-going pulse.

SPECIFICATIONS

- Clock Freq = 10 MHz (max)
- CLOCK Pulse = 25 ns (min)
- SET Pulse = 50 ns (min)
- RESET Pulse = 50 ns (min)
- DATA Set-up Time = 25 ns (min)

Propagation Delay Time

- From: To:
- SET or RESET LOW or HIGH Output = 40 ns (max)
- CLOCK LOW or HIGH Output = 40 ns (max)

TRUTH TABLE (Each Flip-Flop)

t_n		t_{n+1}	
INPUT	D	OUTPUT	Q
L	L	L	H
H	H	H	L

where: t_n = bit time before CLOCK pulse

where: t_{n+1} = bit time after CLOCK pulse

NOTE: The M246 module also contains a +3V logic High source at pin V1 which can be used to tie up to 50 M.Series inputs High.