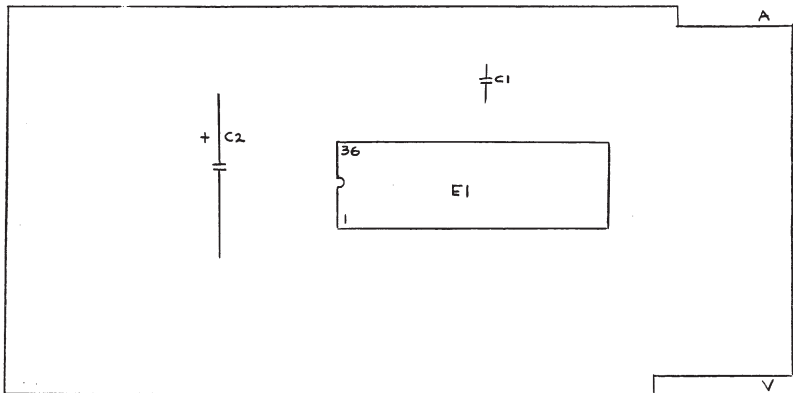
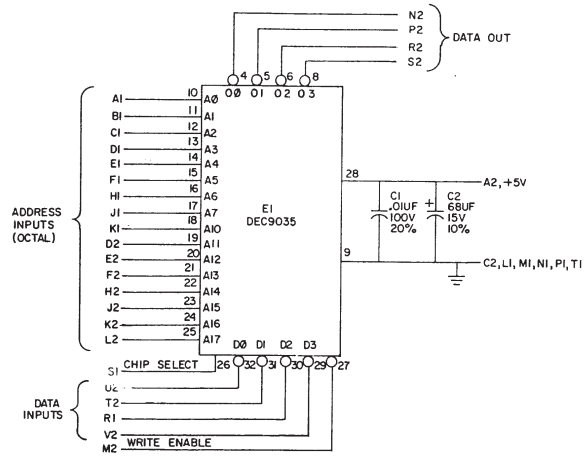


THIS SCHEMATIC IS FURNISHED ONLY FOR TEST AND MAINTENANCE PURPOSES. THE CIRCUITS ARE PROPRIETARY, PATENTED AND SHOULD BE TREATED ACCORDINGLY. COPYRIGHT © 1970 BY DECISION EQUIPMENT CORPORATION.



9	9008337-06	HANDLE, FLIP CHIP - MAGENTA	1
8	9006732	EYELET WGS 4-7	2
7	1909722	I.C. DEC 9035	1
6	1001610	CAP. .01UF, 100V, 20% DISC	1
5	1000082	CAP. 68UF, 15V, 10% S. TANT	1
4	5008796	ETCHED CIRCUIT BOARD	1
3	B-MH-M250-0-6	MODULE ECO HISTORY	
2	C-AH-M250-0-5	ASSY/DRILLING HOLE LAYOUT	
1	K-CO-M250-0-4	X-Y COORDINATE HOLE LOCATION	
ITEM NO.	DEC PART NO.	DESCRIPTION	QTY.
PARTS LIST			

REVISIONS
CHG NO. REV

DRN
Nancy Noode
DATE
11/12/70

CHK'D
41
DATE
12/1/70

EXP.
12-28-70
DATE

PROD. DATE

TRANSISTOR & DIODE CONVERSION CHART			
DEC	EIA	DEC	EIA

digital
EQUIPMENT CORPORATION
MAYNARD, MASSACHUSETTS

TITLE
4 BIT 16 WORD
MEMORY M250

SIZE CODE NUMBER
C CS M250-0-1

PRINTED CIRCUIT REV. B

REV. A
NUMBER
M250-0-1
CS

Print Plan.