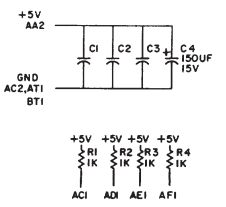
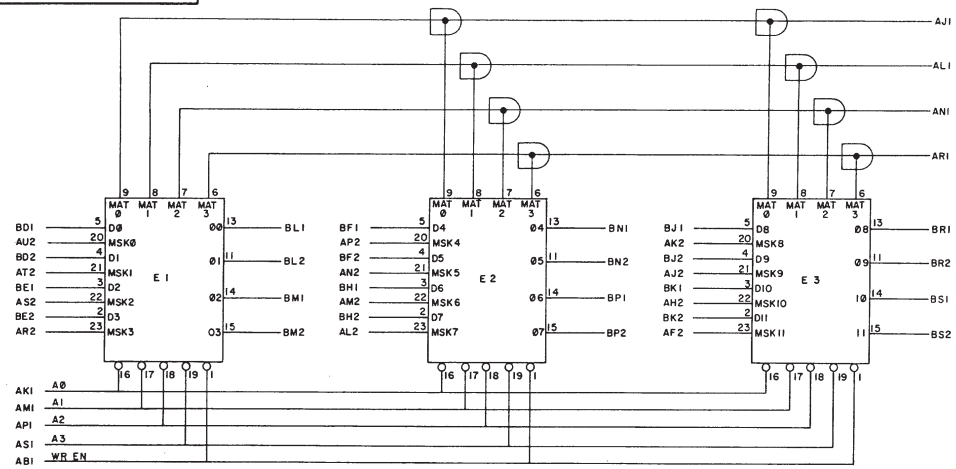
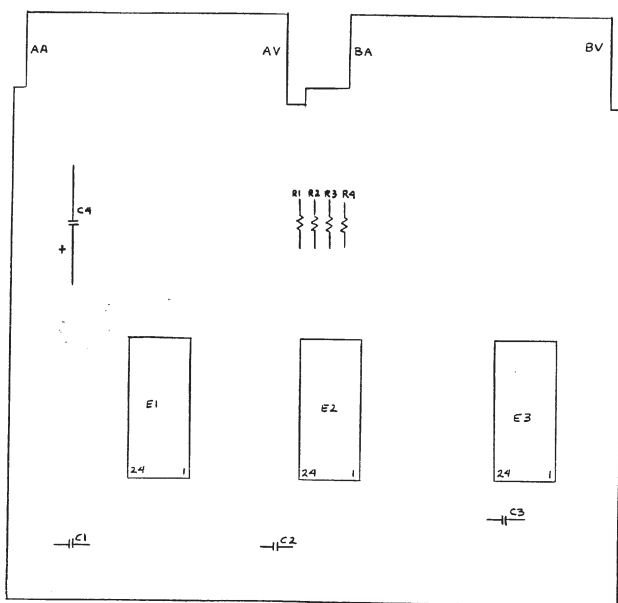


THIS SCHEMATIC IS FURNISHED ONLY FOR TEST AND MAINTENANCE PURPOSES. THE CIRCUITS ARE PROPRIETARY IN NATURE AND SHOULD BE TREATED ACCORDINGLY. COPYRIGHT © 1971 BY DIGITAL EQUIPMENT CORPORATION.

1-0-092W 50 0
 128 238716 1807 1103



UNLESS OTHERWISE INDICATED:
 RESISTORS ARE 1/4 W, 5%
 CAPACITORS ARE .01UF, 100V, 20%
 IC'S ARE DEC4102
 PIN 12 = GND
 PIN 24 = +5V



QTY	PART NO.	DESCRIPTION	UNIT
10	9008337-06	HANDLE, FLIP CHIP - MAGENTA	2
9	9006732	EYELET #GS 4-7	4
8	1909721	I.C. DEC 4102	3
7	1300365	RES. 1K, 1/4, 5%	12
6	1001610	CAP. .01UF, 100V, 20% DISC	3
5	1000084	CAP. 150UF, 15V, 20%	1
4	5009394	ETCHED CIRCUIT BOARD	1
3	B-YH-M260-0-6	MODULE ECO HISTORY	
2	D-AH-M260-0-5	ASSY/DRILLING HOLE LAYOUT	
1	K-COP-M260-0-4	X-Y COORDINATE HOLE LOCATION	

REVISIONS		DATE		TRANSISTOR & DIODE CONVERSION CHART		TITLE	
NO.	DESCRIPTION	BY	DATE	DEC	EIA	DEC	EIA
1	5	11/17/71					
2	1	11/17/71					
3	1	11/17/71					

digital CORPORATION
 EQUIPMENT CORPORATION
 16 WORD X 12 BIT ASS. MEM. CELL M260
 D CS M260-0-1
 PRINTED CIRCUIT REV. A