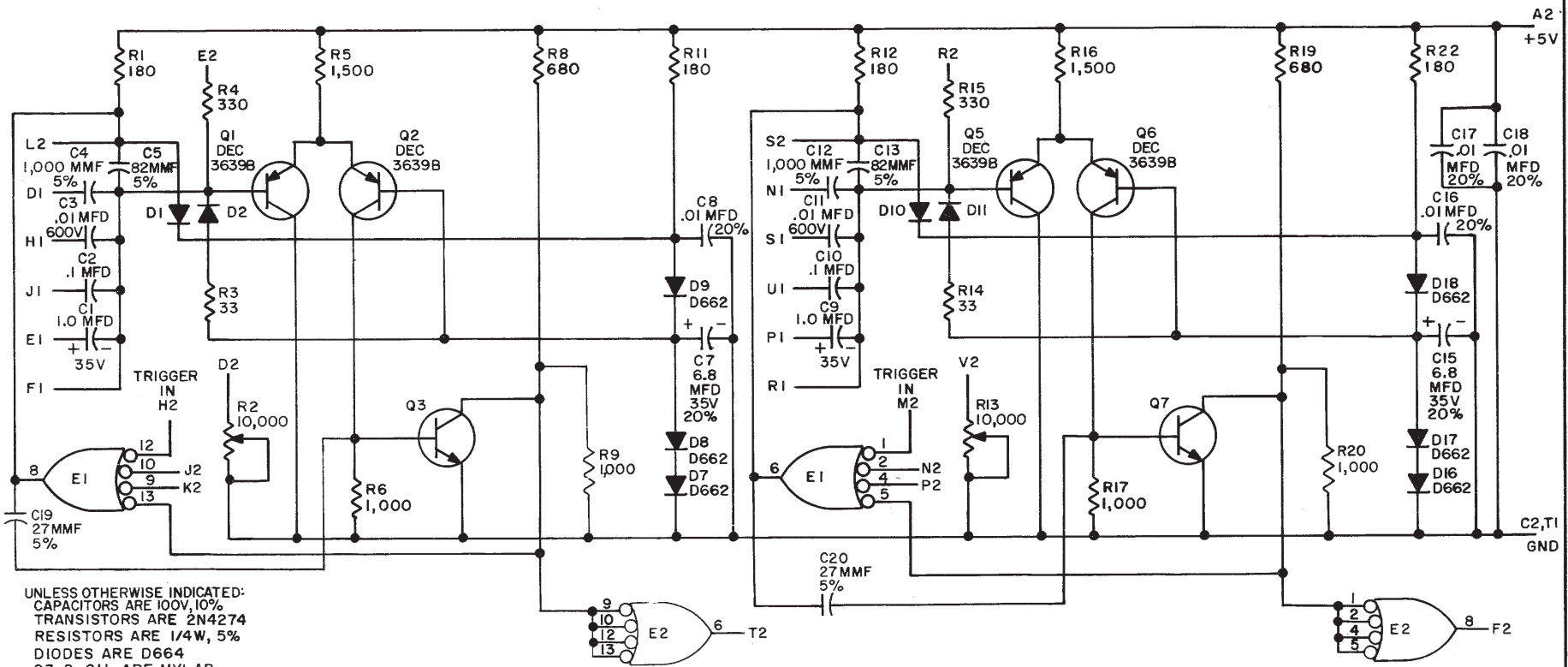


REV. K
 NUMBER M302-0-1
 SIZE CODE B CS

THIS SCHEMATIC IS FURNISHED ONLY FOR TEST AND MAINTENANCE PURPOSES. THE CIRCUITS ARE PROPRIETARY IN NATURE AND SHOULD BE TREATED ACCORDINGLY. COPYRIGHT 1967 BY DIGITAL EQUIPMENT CORPORATION



UNLESS OTHERWISE INDICATED:
 CAPACITORS ARE 100V, 10%
 TRANSISTORS ARE 2N4274
 RESISTORS ARE 1/4W, 5%
 DIODES ARE D664
 C3 & C11 ARE MYLAR
 E1 IS DEC74H40N
 PIN 7 ON IC'S = GND
 PIN 14 ON IC'S = +5V
 R2 & R13 ARE HELITRIM POT #78PR
 1.0MFD CAPACITORS ARE TANTALUM
 E2 IS DEC7413N

PARTS LIST A-PL-M302-0-0

REVISIONS	CHK	CHG NO.	REV.												
	1.	6507	B	C	D	E	F	G	H	I	J	K			
				DRN.	DATE	TRANSISTOR & DIODE CONVERSION CHART				TITLE					
				CHK'D	DATE	DEC	EIA	DEC	EIA	digital		ONE SHOT DELAY M302			
				ENG.	DATE	2N4274	SAME			EQUIPMENT CORPORATION		SIZE	CODE	NUMBER	REV.
				PROD.	DATE	DEC3639B	2N3639			MAYNARD, MASSACHUSETTS		B	CS	M302-0-1	K
												PRINTED CIRCUIT REV.			
												K			

DEC FORM NO. DRB 102

PINK
 DIST. 324/434/435 5