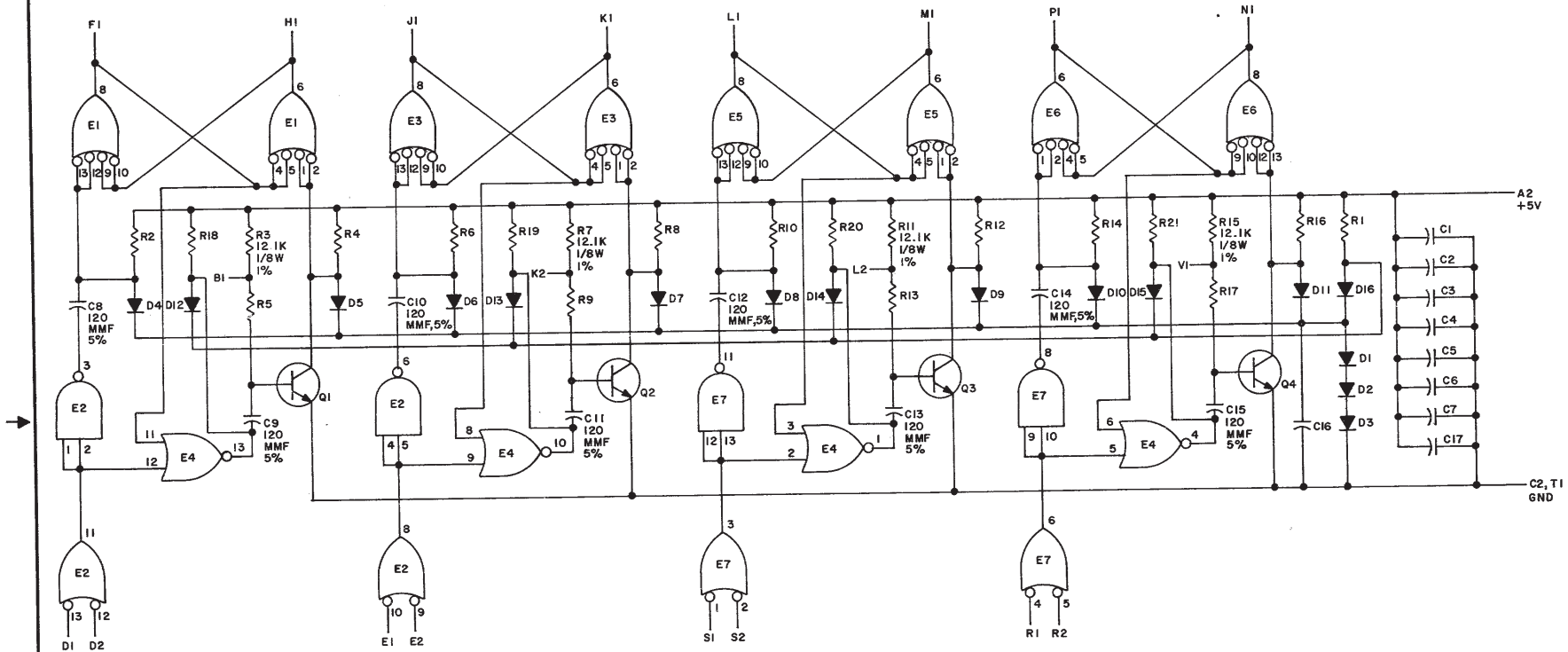


THIS SCHEMATIC IS FURNISHED ONLY FOR TEST AND MAINTENANCE PURPOSES. THE CIRCUITS ARE PROPRIETARY IN NATURE AND SHOULD BE TREATED ACCORDINGLY. COPYRIGHT 1969 BY DIGITAL EQUIPMENT CORPORATION



UNLESS OTHERWISE INDICATED:
 RESISTORS ARE 1K
 RESISTORS ARE 1/4W, 5%
 TRANSISTORS ARE DEC3009B
 E1, E3, E5, E6 ARE DEC7440
 E2, E7 ARE DEC7400
 E4 IS DEC7402
 PIN 7 ON EACH IC = GND
 PIN 14 ON EACH IC = +5V
 DIODES ARE D664
 CAPACITORS ARE .01MFD, 100V, 20%

REV. A
 NUMBER M304-0-1
 SIZE CODE C CS

REVISIONS	CHK	CHG	NO.	REV.
			00001	A

DEC FORM NO. DRC 102

DRN	DATE	TRANSISTOR & DIODE CONVERSION CHART			
<i>M. Miller</i>	4-22-69	DEC	EIA	DEC	EIA
CHK'D	DATE	D664	IN3606		
<i>M. Mansfield</i>	4-23-69	DEC3009B	2N3009		
ENG.	DATE				
<i>R. Chawla</i>	6-20-69				
PROD.	DATE				

DRN	DATE	TRANSISTOR & DIODE CONVERSION CHART			
<i>M. Miller</i>	4-22-69	DEC	EIA	DEC	EIA
CHK'D	DATE	D664	IN3606		
<i>M. Mansfield</i>	4-23-69	DEC3009B	2N3009		
ENG.	DATE				
<i>R. Chawla</i>	6-20-69				
PROD.	DATE				

digital
 EQUIPMENT CORPORATION
 MAYNARD, MASSACHUSETTS

TITLE			
ONE SHOT DELAY M304			
SIZE	CODE	NUMBER	REV.
C	CS	M304-0-1	A
PRINTED CIRCUIT REV.			
B			

DIST. 324,434,410 PINK