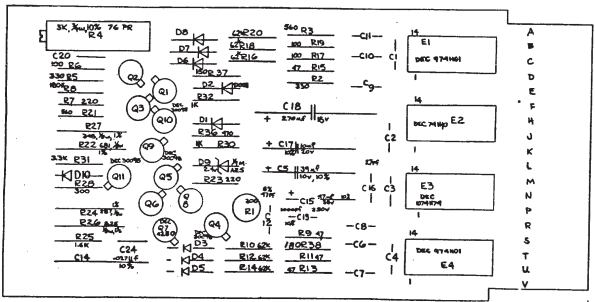
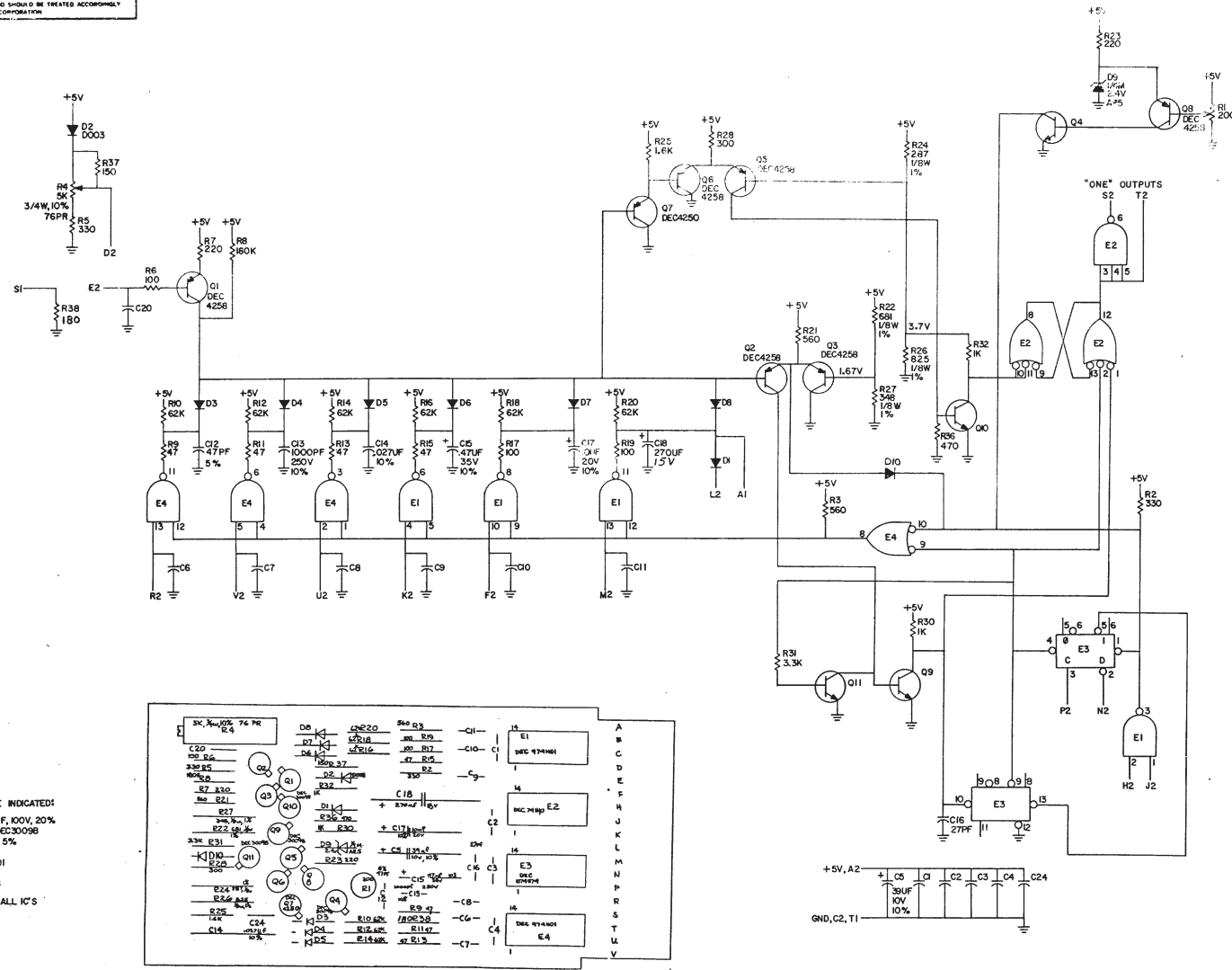


THIS SCHEMATIC IS FURNISHED ONLY FOR TEST AND MAINTENANCE PURPOSES. THE CIRCUITS ARE PROPRIETARY IN NATURE AND SHOULD BE TREATED ACCORDINGLY. COPYRIGHT 1971 BY DIGITAL EQUIPMENT CORPORATION.



UNLESS OTHERWISE INDICATED:
 CAPACITORS = .01UF, 100V, 20%
 TRANSISTORS = DEC30098
 RESISTORS = 1/4W, 5%
 DIODES = D664
 E1, E4 = DEC97401
 E2 = DEC74H10
 E3 = DEC1074H74
 PIN 7 = GND
 PIN 14 = +5V

QTY	DESCRIPTION	REF	VAL	PKT	UNIT	QTY
1	RES, 180 OHM 5%	R23	180		5%	1
1	RES, 277 OHM 5% MICR	R1	277		5%	1
1	RES, 287 1/8W 1% MPP	R25	287		1% MPP	1
1	RES, 825 1/8W 1% MPP	R24	825		1% MPP	1
1	RES, 47 OHM 5%	R26	47		5%	1
1	TRANSISTOR DEC 4258	Q1			DEC 4258	1
1	RES, 300 OHM 5%	R27	300		5%	1
1	RES, 220 OHM 5%	R28	220		5%	1
2	RES, 200 OHM 20% 62PR POT	R22	200		20% 62PR POT	2
1	RES, 340 1/8W 1% MPP	R28	340		1% MPP	1
1	RES, 681 1/8W 1% MPP	R25	681		1% MPP	1
1	RES, 1000 OHM	R20	1000			1
1	HANDLE, PLIF CHIP - MAGENTA					1
2	EYELET					2
1	I.C. DEC 974H01					1
2	I.C. DEC1074H74					2
1	I.C. DEC 74H10					1
6	TRANSISTOR DEC 4258					6
4	TRANSISTOR DEC 30098					4
1	RES, 5K 3/4W 10% 76PR POT					1
6	RES, 62K OHM 5%					6
1	RES, 1.6K OHM 5%					1
1	RES, 100K OHM 5%					1
2	RES, 560 OHM 5%					2
1	RES, 3.3K OHM 5%					1
2	RES, 1K OHM 5%					2
2	RES, 330 OHM 5%					2
1	RES, 470 OHM 5%					1
1	RES, 150 OHM 5%					1
3	RES, 100 OHM 5%					3
1	DIODE MP, 2.4V, A25					1
8	DIODE D664					8
1	DIODE D003					1
1	CAP, 100PF 20V 10% S.TANT					1
1	CAP, 270UF 35V 10% TANT					1
1	CAP, .47UF 35V 10% TANT					1
1	CAP, .01UF 100V 20% DISC					1
1	CAP, .39UF, 10V, 10% TANT					1
1	CAP, 1000PF 250V 10% DISC					1
1	CAP, .027UF 100V 10% MYLAR					1
1	CAP, .47PF 100V 5% D.M.					1
1	CAP, .47PF, 100V, 5%					1
1	ETCHED CIRCUIT BOARD					1
1	MODULE BOX HISTORY					1
1	ASSY/ROLLING IN/LEAVOUT					1
1	X-Y COORDINATE, IN/LEAVOUT					1
1	DESCRIPTION					1

REV	DATE	DESCRIPTION
1	11/15/71	INITIAL DESIGN
2	11/15/71	REVISED
3	11/15/71	REVISED
4	11/15/71	REVISED
5	11/15/71	REVISED

TRANSISTOR & DIODE CONVERSION CHART			
DATE	DEC	EIA	DEC
DEC 30098	2N3009	2N3009	2N3009
DEC 4258	2N4258	2N4258	2N4258
DEC 30098	2N3009	2N3009	2N3009
DEC 4258	2N4258	2N4258	2N4258

PARTS LIST			
QTY	DESCRIPTION	REF	VAL
1	INTEGRATING ONE		
1	SHOT M308		