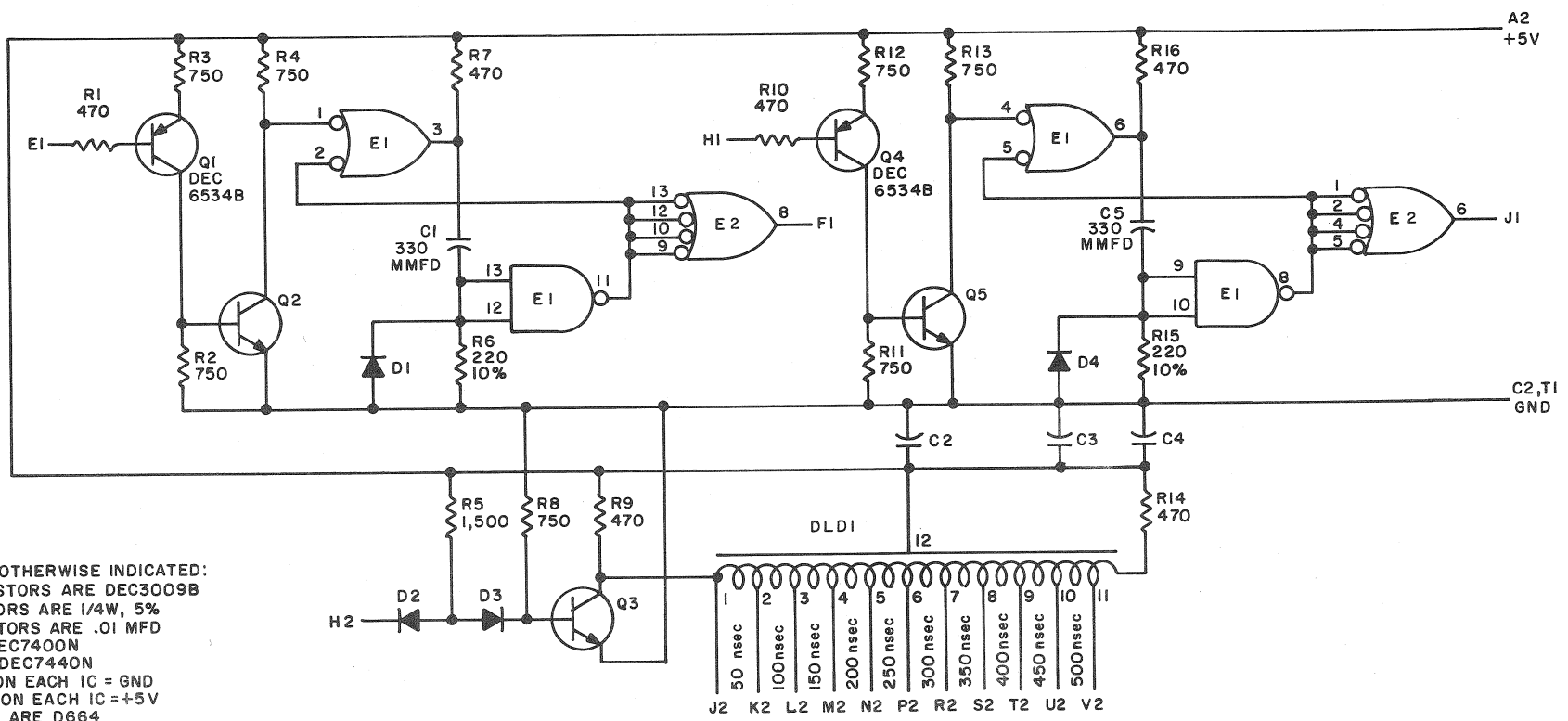


REV. B  
 NUMBER M310-0-1  
 SIZE CODE B CS

THIS SCHEMATIC IS FURNISHED ONLY FOR TEST AND MAINTENANCE PURPOSES. THE CIRCUITS ARE PROPRIETARY IN NATURE AND SHOULD BE TREATED ACCORDINGLY. COPYRIGHT 1967 BY DIGITAL EQUIPMENT CORPORATION



UNLESS OTHERWISE INDICATED:  
 TRANSISTORS ARE DEC3009B  
 RESISTORS ARE 1/4W, 5%  
 CAPACITORS ARE .01 MFD  
 E1 IS DEC7400N  
 E2 IS DEC7440N  
 PIN 7 ON EACH IC = GND  
 PIN 14 ON EACH IC = +5V  
 DIODES ARE D664  
 DL1 IS DEC16-05530

TRANSISTOR & DIODE CONVERSION CHART			
DEC		EIA	
DEC3009B	2N3009		
DEC6534B	MPS6534		
D662	1N645		
D664	1N3606		

**digital**  
 EQUIPMENT CORPORATION  
 MAYNARD, MASSACHUSETTS

TITLE DELAY LINE M310			
SIZE B	CODE CS	NUMBER M310-0-1	REV. B
PRINTED CIRCUIT REV.			B

REVISIONS	CHK	CHG	NO.	REV.
			6771	A
			00001	B

DRN. <i>M. Haller</i>	DATE 4-7-67
CHK'D <i>[Signature]</i>	DATE [Signature]
ENG. <i>[Signature]</i>	DATE 5/5/67
PROD. <i>[Signature]</i>	DATE

DEC FORM NO. DRB 102

DIST. 324,434,435

PINK