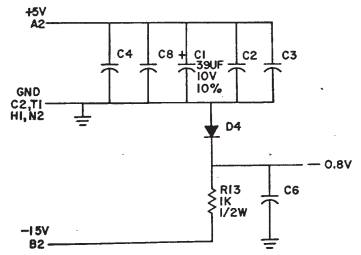
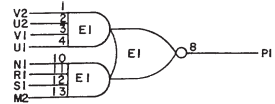
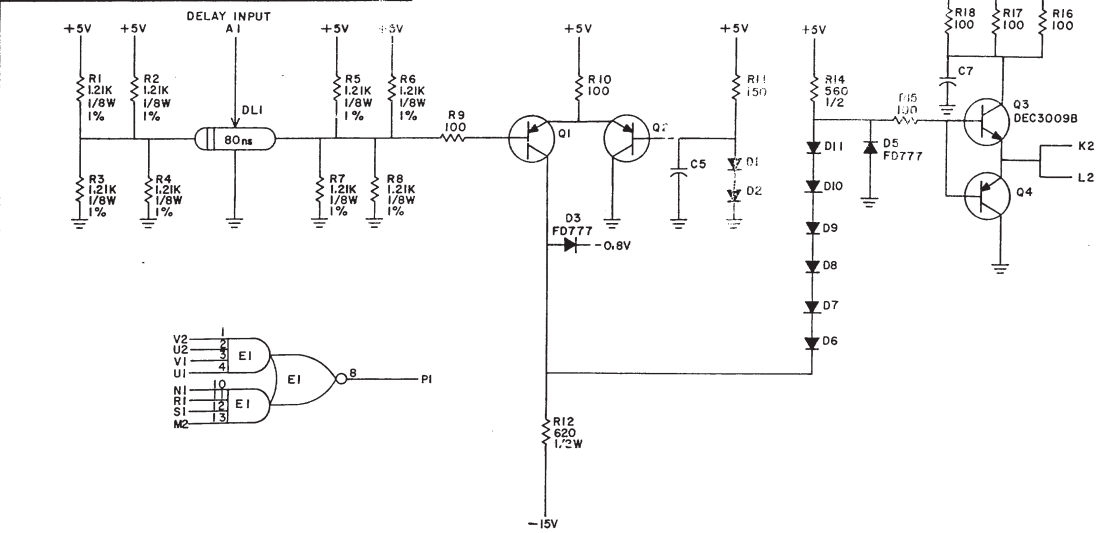
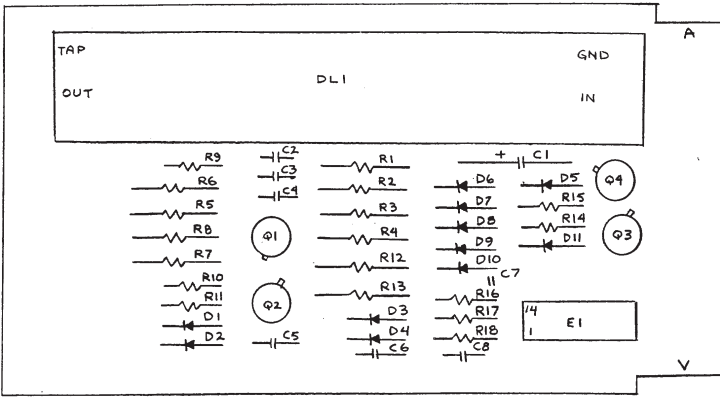


THIS SCHEMATIC IS FURNISHED ONLY FOR TEST AND MAINTENANCE PURPOSES. THE CIRCUITS ARE PROPRIETARY IN NATURE AND SHOULD BE TREATED ACCORDINGLY. COPYRIGHT 1970 BY DIGITAL EQUIPMENT CORPORATION



UNLESS OTHERWISE INDICATED:
 RESISTORS ARE 1/4W, 5%
 CAPACITORS ARE .01UF, 100V, 20%
 DIODES ARE D662
 TRANSISTORS ARE DEC4258
 E1 IS 1074H55
 PIN 7 ON IC = GND
 PIN 14 ON IC = +5V
 DELAY LINE IS A 1610079-0



20	9008337-06	HANDLE, FLIP CHIP - MAGENTA	1
19	9006732	EYELET #G54-7	2
18	1610079-0	DELAY LINE 80NS VAR 300 5%	1
17	190045	I.C. DEC 074H55	1
16	1505321	TRANSISTOR 2N4258	3
15	1503100	TRANSISTOR DEC 3009B	1
14	1302871	RES. 1.21K 1/8W 1% MF	8
13	1301890	RES. 560 kW 5%	1
12	1301732	RES. 620 kW 5%	1
11	1300364	RES. 1K kW 5%	1
10	1300250	RES. 150 kW 5%	1
9	1300229	RES. 100 kW 5%	6
8	1103041	DIODE FD777	2
7	1100113	DIODE D662	9
6	1000610	CAP. .01UF 100V 20% DISC	7
5	1000078	CAP. .39UF 10V 10% S. TANT	1
4	5009113	ETCHED CIRCUIT BOARD	1
3	B-MH-M363-0-6	MODULE ECO HISTORY	
2	C-AH-M363-0-5	ASSY/DRILLING HOLE LAYOUT	
1	K-CO-M363-0-4	X-Y COORDINATE HOLE LOCATION	
ITEM NO.	DEC PART NO.	DESCRIPTION	QTY.
PARTS LIST			

REVISIONS CHK'D BY: [] DATE: [] DESIGNED BY: [] DATE: [] DRAWN BY: [] DATE: [] CHECKED BY: [] DATE: [] APPROVED BY: [] DATE: []	DRN. S. COOPER CHK'D R. WALDIE ENG. [] PRD. []	DATE 8/3/70 DATE 8/26/70 DATE 8/26/70 DATE []	TRANSISTOR & DIODE CONVERSION CHART <table border="1"> <tr> <td>DEC</td> <td>EIA</td> </tr> <tr> <td>DEC3009B</td> <td>2N3009B</td> </tr> <tr> <td>DEC4258</td> <td>2N4258</td> </tr> <tr> <td>D662</td> <td>1N645</td> </tr> <tr> <td>FD777</td> <td>NONE</td> </tr> </table>	DEC	EIA	DEC3009B	2N3009B	DEC4258	2N4258	D662	1N645	FD777	NONE	<table border="1"> <tr> <td colspan="2">digital</td> <td>TITLE</td> <td>VARIABLE DELAY</td> </tr> <tr> <td colspan="2">EQUIPMENT CORPORATION</td> <td>NUMBER</td> <td>M363</td> </tr> <tr> <td colspan="2">MAYNARD, MASSACHUSETTS</td> <td>SIZE</td> <td>C CS M363-0-1</td> </tr> <tr> <td colspan="2">PRINTED CIRCUIT REV.</td> <td>REV.</td> <td>D</td> </tr> </table>	digital		TITLE	VARIABLE DELAY	EQUIPMENT CORPORATION		NUMBER	M363	MAYNARD, MASSACHUSETTS		SIZE	C CS M363-0-1	PRINTED CIRCUIT REV.		REV.	D
DEC	EIA																													
DEC3009B	2N3009B																													
DEC4258	2N4258																													
D662	1N645																													
FD777	NONE																													
digital		TITLE	VARIABLE DELAY																											
EQUIPMENT CORPORATION		NUMBER	M363																											
MAYNARD, MASSACHUSETTS		SIZE	C CS M363-0-1																											
PRINTED CIRCUIT REV.		REV.	D																											

DEC FORM NO. DRC 102