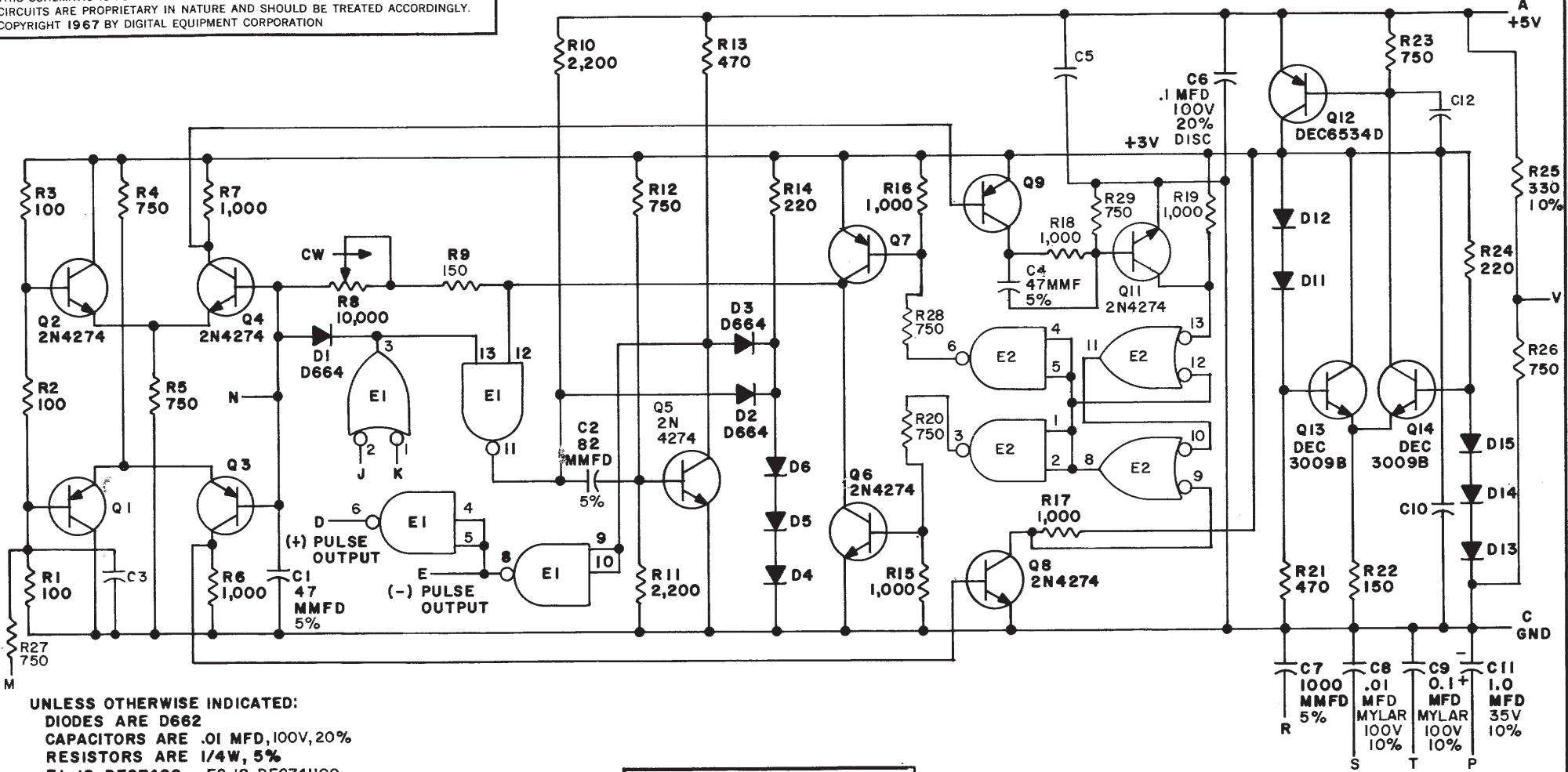


THIS SCHEMATIC IS FURNISHED ONLY FOR TEST AND MAINTENANCE PURPOSES. THE CIRCUITS ARE PROPRIETARY IN NATURE AND SHOULD BE TREATED ACCORDINGLY. COPYRIGHT 1967 BY DIGITAL EQUIPMENT CORPORATION



UNLESS OTHERWISE INDICATED:  
 DIODES ARE D662  
 CAPACITORS ARE .01 MFD, 100V, 20%  
 RESISTORS ARE 1/4W, 5%  
 E1 IS DEC7400, E2 IS DEC74H00  
 PIN 7 ON IC = GND  
 PIN 14 ON IC = +5V  
 TRANSISTORS ARE DEC4258  
 R8 IS A HELITRIM POT 10%-78PR

PARTS LIST A-PL-M401-0-0

TRANSISTOR & DIODE CONVERSION CHART			
DEC		EIA	
DEC3009B	2N3009	D662	IN645
DEC4258	2N4258	D664	IN3606
2N4274	SAME		
DEC6534D	MPS6534		

**digital**  
 EQUIPMENT CORPORATION  
 MAYNARD, MASSACHUSETTS

TITLE				VARIABLE CLOCK M401			
SIZE	CODE	NUMBER		REV.			
B	CS	M401-0-1		M			
PRINTED CIRCUIT REV.							
L							

REVISIONS	CHK	CHG NO.	REV.
	6769	A	
	6844	B	
	00001	C	
	00002	D	
	00004	F	
	00005	J	
	00006	K	
	00007	L	
	00008	M	

DRN. *M. Valler* DATE 9-11-67  
 CHK'D *A. Subramanian* DATE 9/13/67  
 ENG. *A. P. N. P.* DATE 9/13/67  
 PROD. DATE