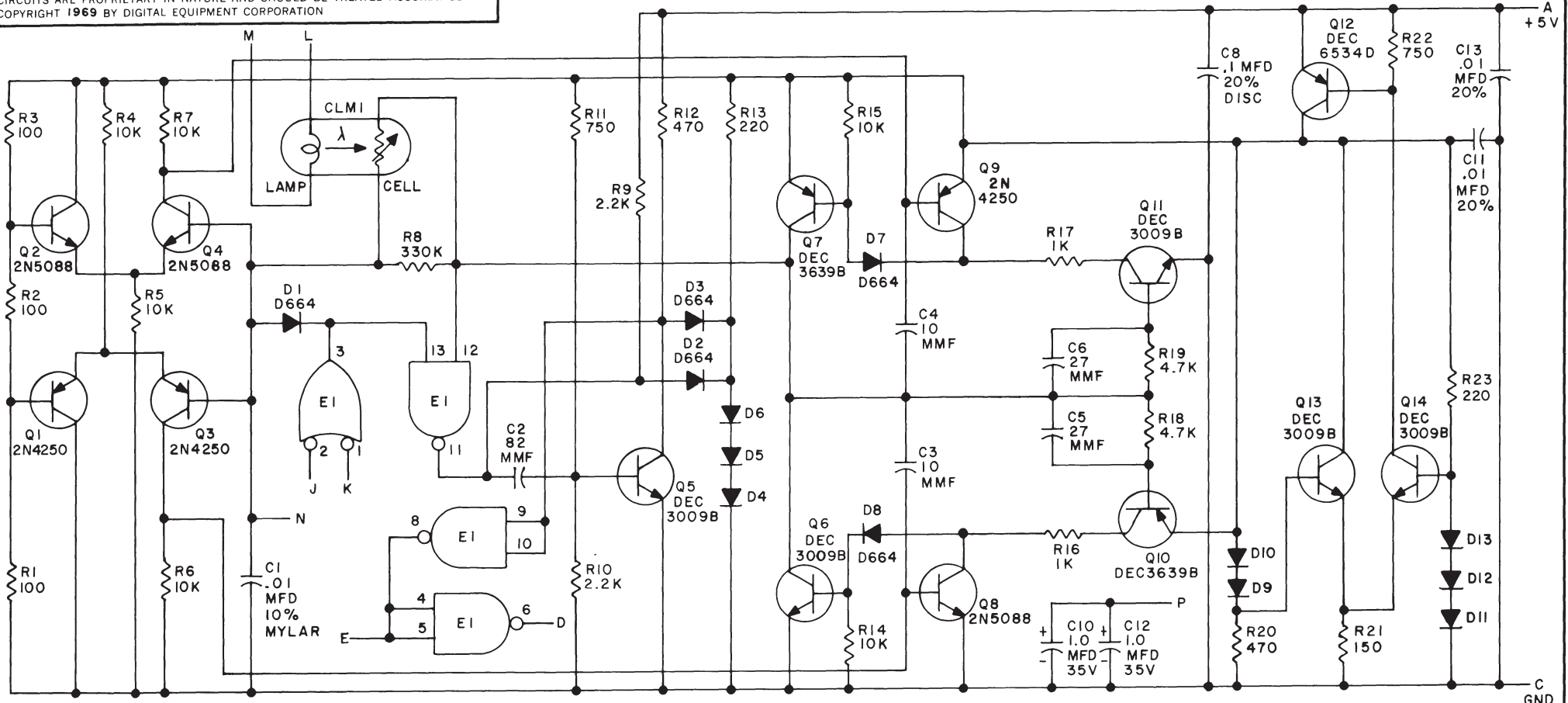


THIS SCHEMATIC IS FURNISHED ONLY FOR TEST AND MAINTENANCE PURPOSES. THE CIRCUITS ARE PROPRIETARY IN NATURE AND SHOULD BE TREATED ACCORDINGLY. COPYRIGHT 1969 BY DIGITAL EQUIPMENT CORPORATION

M402-2



UNLESS OTHERWISE INDICATED:
 CAPACITORS ARE 100V, 5%
 DIODES ARE D662
 RESISTORS ARE 1/4W, 5%
 EI IS DEC7400N
 PIN 7 ON IC = GND
 PIN 14 ON IC = +5V
 CLM1 IS 4006A

REVISIONS	CHK	CHG	NO.	REV.

DRN. <i>M. Waller</i>	DATE 5-16-69
CHK'D <i>A. Young</i>	DATE 5-20-69
ENG. <i>R. E. Shaugh</i>	DATE 9-12-69
PROD.	DATE

TRANSISTOR & DIODE CONVERSION CHART			
DEC	EIA	DEC	EIA
D662	1N645	DEC3639B	2N3639
D664	1N3606	DEC6534D	MPS6534
2N4250	NONE		
SE4020	NONE		
DEC3009B	2N3009		



TITLE PHOTO MOD CLOCK M402			
SIZE B	CODE CS	NUMBER M402-0-1	REV.
PRINTED CIRCUIT REV.			B