

M404 CRYSTAL CLOCK

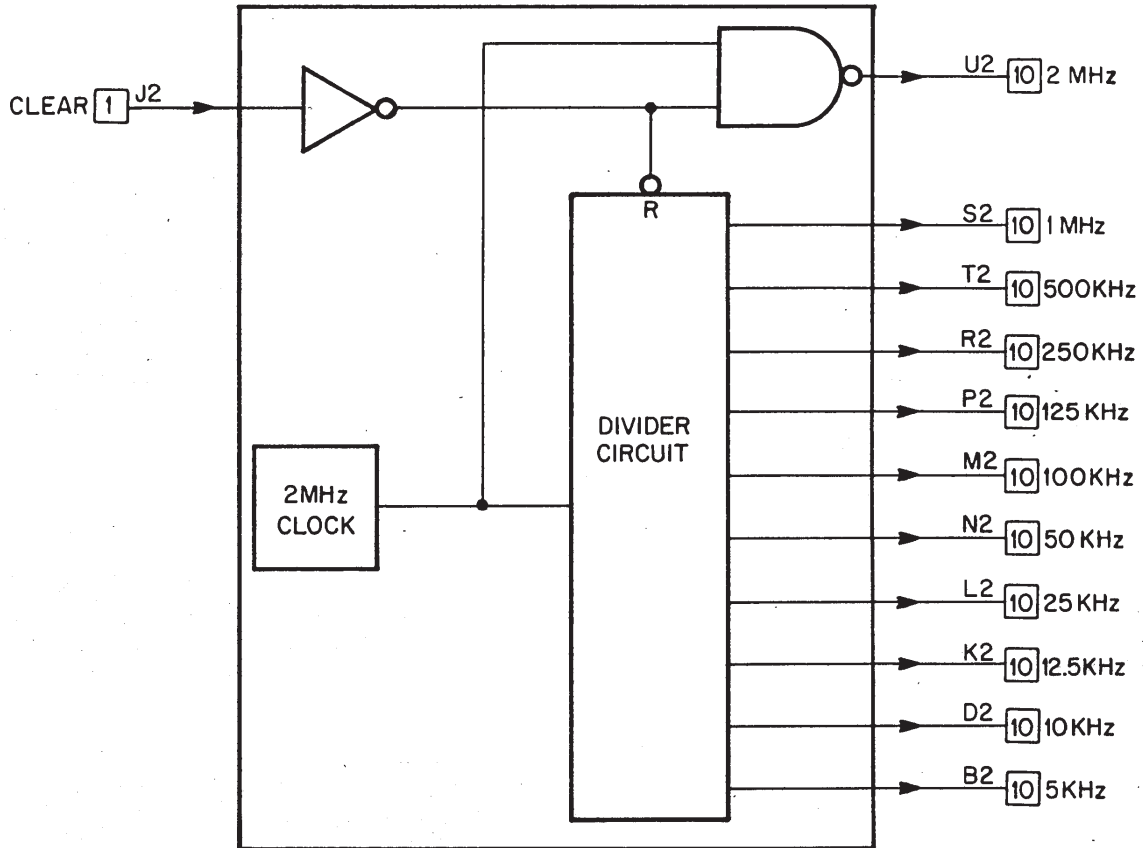
TIME
RELATED

M SERIES

Length: Standard
Height: Single
Width: Single

Price:

\$65



Volts	Power	Pins
+5	mA (max.)	A2
GND	535	C2, T1

The M404 clock contains a 2 MHz crystal oscillator and frequency dividers.

A HIGH on the CLEAR input clears the frequency divider and all outputs go LOW except the 2 MHz output, which goes HIGH.

SPECIFICATIONS

Accuracy: Maximum error from specified output frequency is 0.01% between 0 degrees C and +55 degrees C.