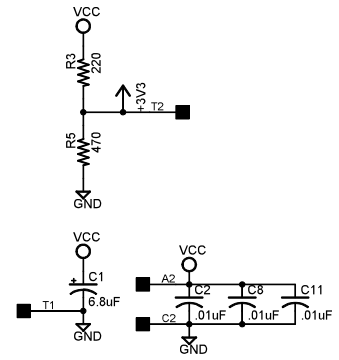


This schematic was recovered from the etch.
(Not all component values are known.)

Frequency	Connect	Baud Rates
200 Hz to - 1K Hz	J1-R1	25 to 125
1 KHz - 5 KHz	J1-P1	125 to 625
5 KHz to 25 KHz	J1-N1	625 to 3125
25 KHz to 125 KHz	J1-M1	3125 to 15625
125 KHz to 625 KHz	J1-L1	15625 to 78125
> 625 KHz	J1-K1	> 78125



OUTLINE-SINGLE

Variable Clock M453	
TITLE: M453X	
Document Number: B-CS-M453-0-1	REV:
Date: 4/25/2013 06:45:16a	Sheet: 1/1