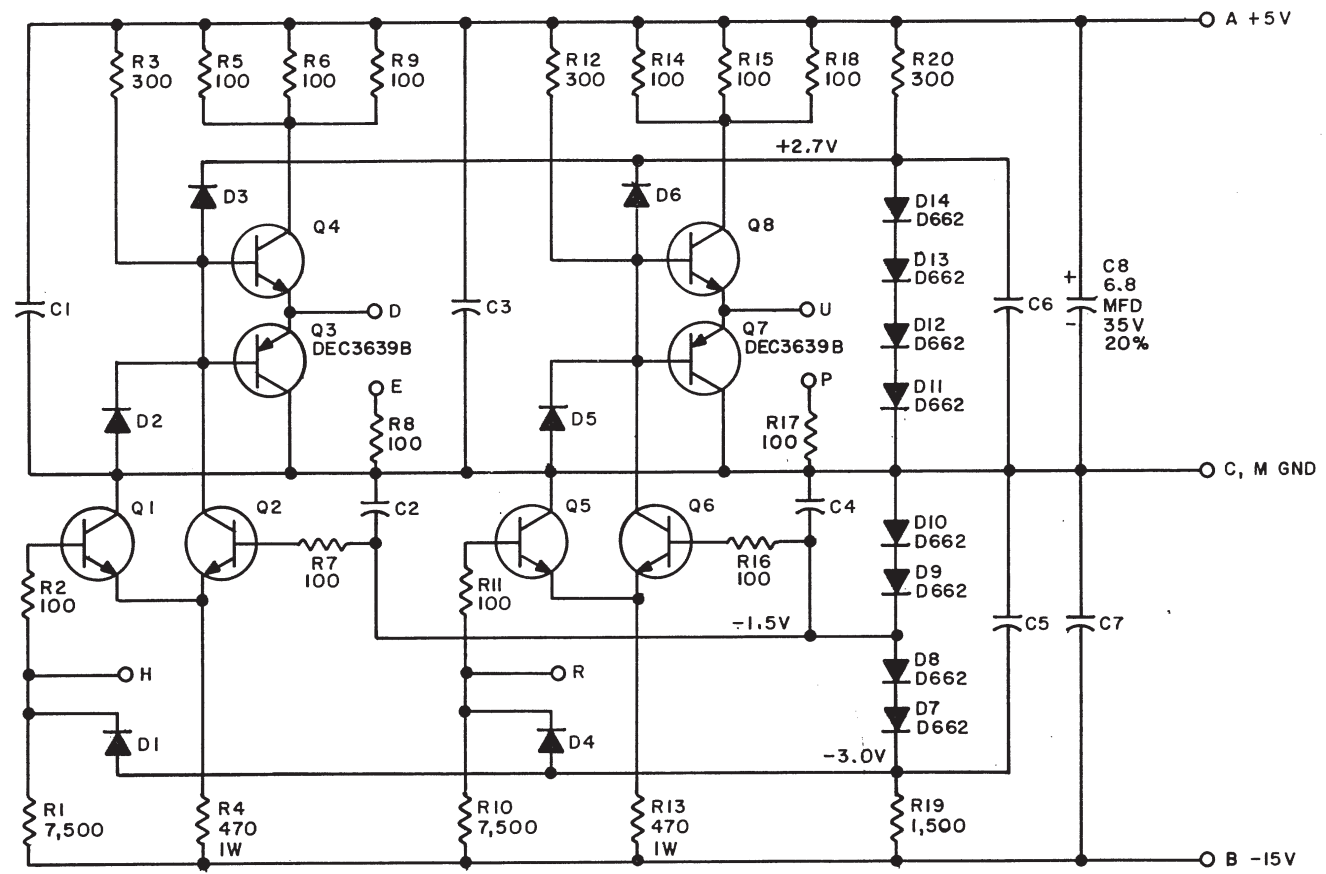


THIS SCHEMATIC IS FURNISHED ONLY FOR TEST AND MAINTENANCE PURPOSES. THE CIRCUITS ARE PROPRIETARY IN NATURE AND SHOULD BE TREATED ACCORDINGLY. COPYRIGHT 1967 BY DIGITAL EQUIPMENT CORPORATION



UNLESS OTHERWISE INDICATED:  
TRANSISTORS ARE DEC3009B  
CAPACITORS ARE .01 MFD  
DIODES ARE D664  
RESISTORS ARE 1/4W, 5%

PARTS LIST A-PL-M502-0-0



REVISIONS	CHK	CHG NO.	REV.
	6675	A	
	6784	B	
	10000	C	

ORLANDO  
9/21/72  
C. P. ...

DRN <i>M. Haller</i>	DATE 6-2-67
CHK'D <i>M. ...</i>	DATE 6-2-67
ENG. <i>C. ...</i>	DATE 6-2-67
PROD.	DATE

TRANSISTOR & DIODE CONVERSION CHART			
DEC		EIA	
DEC3009B	2N3009		
DEC3639B	2N3639		
D662	1N645		
D664	1N3606		

**digital**  
EQUIPMENT CORPORATION  
MAYNARD, MASSACHUSETTS

TITLE NEGATIVE INPUT CONVERTER M502			
SIZE B	CODE CS	NUMBER M502-0-1	REV. C
PRINTED CIRCUIT REV.			C