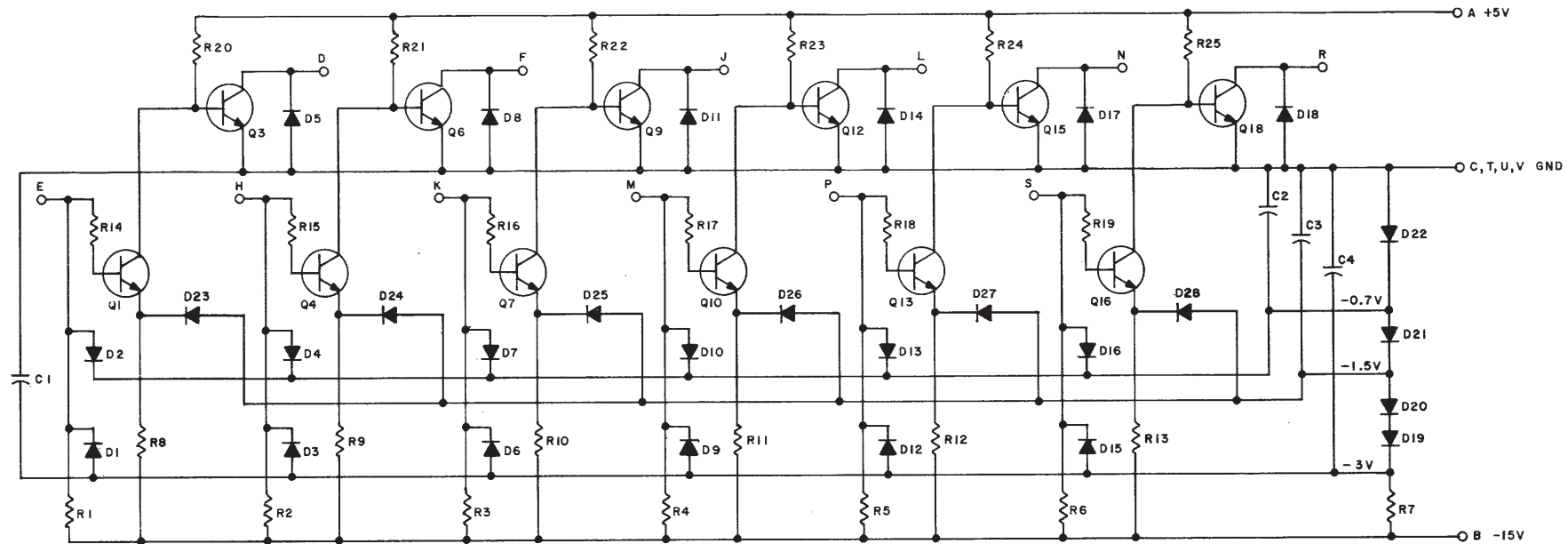


THIS SCHEMATIC IS FURNISHED ONLY FOR TEST AND MAINTENANCE PURPOSES. THE CIRCUITS ARE PROPRIETARY IN NATURE AND SHOULD BE TREATED ACCORDINGLY. COPYRIGHT 1968 BY DIGITAL EQUIPMENT CORPORATION.



Q15, Q16, Q18	TRANSISTOR DEC3009B-S	1503100
Q1, Q3, Q4, Q6, Q7, Q9, Q10, Q12, Q13,	TRANSISTOR DEC3009B-S	1300365
R20-R25	RES. 1K 1/4W 5% CC	1300417
R8-R13	RES. 2.2K 1/4W 5% CC	1300316
R14-R19	RES. 470 1/4W 5% CC	1300391
R7	RES. 1.5K 1/4W 5% CC	1301422
R1-R6	RES. 7.5K 1/4W 5% CC	1001610
C1-C4	CAP. .01MFD 100V 20% DISC	1100113
D19-D22	DIODE D662	1100114
D1-D18, D23-D28	DIODE D664	
PARTS LIST		A-PL-M508-0-0
REFERENCE DESIGNATION	DESCRIPTION	PART NO.

REV. A
NUMBER M508-0-1
SIZE CODE C CS

REVISIONS	CHK	CHG	NO	REV
			00001	A

DRN	Dr. Keller	DATE	8-23-68
CHK'D		DATE	
ENG.		DATE	
PROD.		DATE	

TRANSISTOR & DIODE CONVERSION CHART			
DEC	EIA	DEC	EIA
DEC3009B	2N3009		
D662	1N645		
D664	1N3606		

digital BUS CONVERTER M508

EQUIPMENT CORPORATION
MAYNARD, MASSACHUSETTS

SIZE	CODE	NUMBER	REV.
C	CS	M508-0-1	A

PRINTED CIRCUIT REV. C