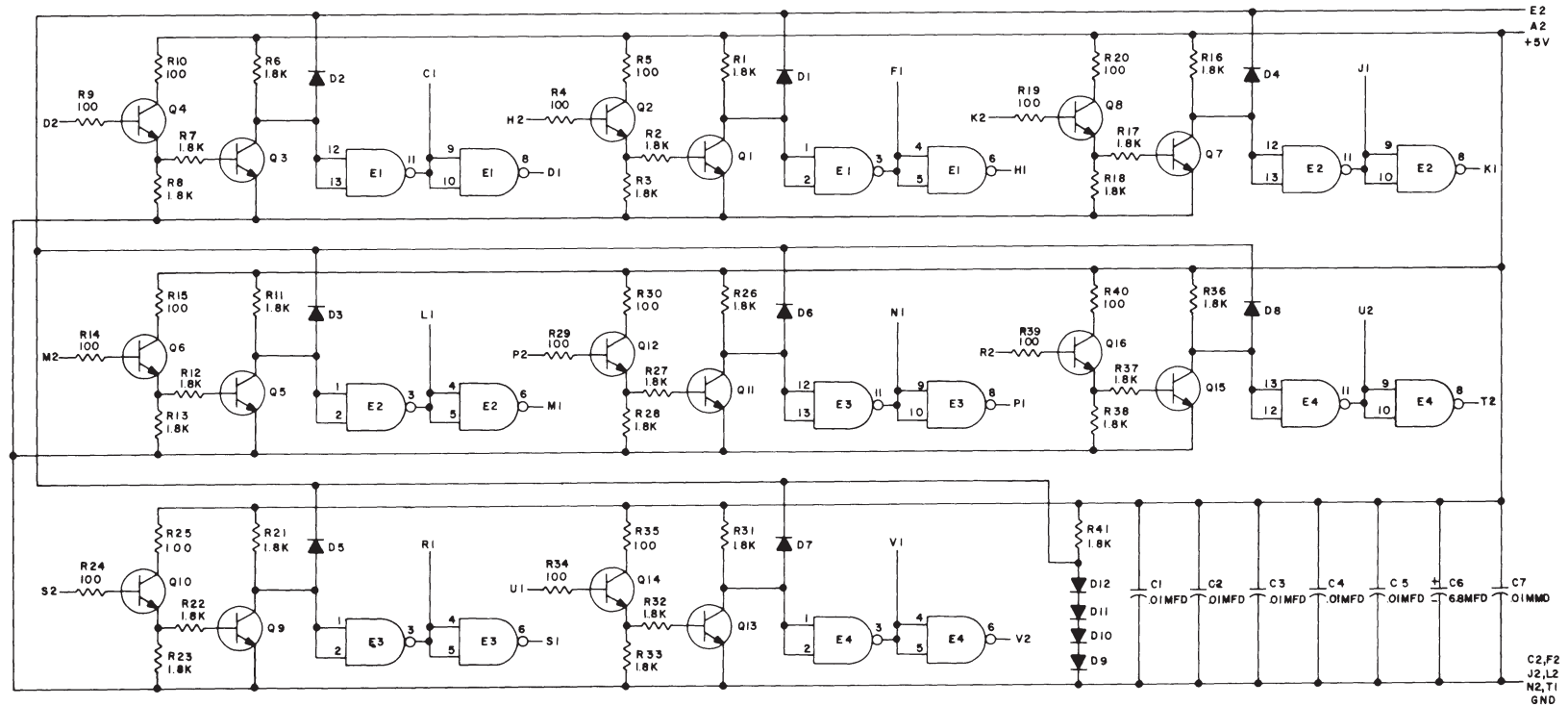


THIS SCHEMATIC IS FURNISHED ONLY FOR TEST AND MAINTENANCE PURPOSES. THE CIRCUITS ARE PROPRIETARY IN NATURE AND SHOULD BE TREATED ACCORDINGLY. COPYRIGHT 1969 BY DIGITAL EQUIPMENT CORPORATION.



UNLESS OTHERWISE INDICATED  
 IC'S ARE DEC74H00  
 PIN 7 ON EACH IC = GND  
 PIN 14 ON EACH IC = +5V  
 DIODES ARE D664  
 RESISTORS ARE 1/4W 10%  
 TRANSISTORS ARE DEC 3009B

M510-2

REVISIONS CHG NO. REV.	DRN <i>Spindling</i>	DATE 2/2/69	TRANSISTOR & DIODE CONVERSION CHART				<b>digital</b> EQUIPMENT CORPORATION MAYNARD, MASSACHUSETTS	TITLE IO BUS RECEIVER M510		
	CHG <i>Palotta</i>	DATE 3/11/69	DEC D664	EIA 1N3606	DEC DEC3009	EIA 2N3009		SIZE C	CODE CS	NUMBER M510-0-1
	ENG <i>K. S. Shaw</i>	DATE 6-9-69								REV. A
	PROD	DATE								PRINTED CIRCUIT REV.