

M521 K TO M CONVERTER

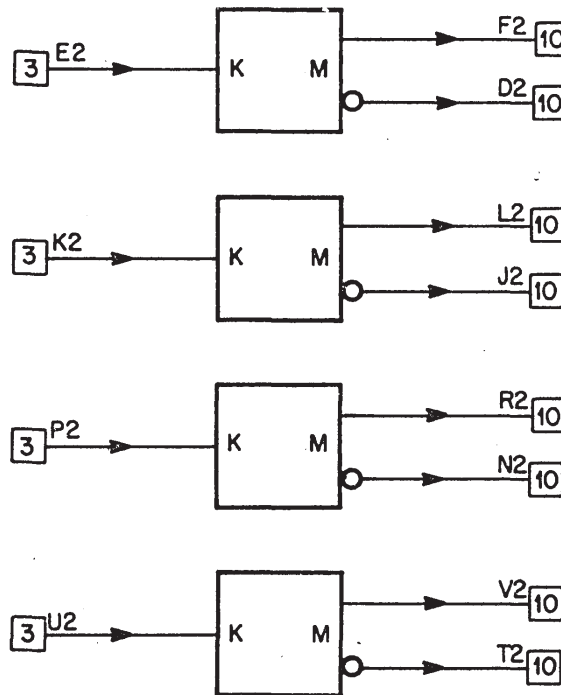
**TIME
RELATED**

M SERIES

Length: Single
Height: Single
Width: Single

Price:

\$16



Volts	Power	Pins
+5	mA (max.)	A2
GND	56	C2

The M521 K Series to M Series Converter contains four circuits which can convert any K Series input to complementing M Series outputs.

APPLICATIONS

- Rise Time Conversion — K to M Series

FUNCTIONS

Typically, a K Series input would have a 7 μ s rise time and a 1.5 μ s fall time. The M521 speeds both these rise and fall times to approximately 15 ns. The input circuit has built-in hysteresis and is slowed to a maximum frequency of 100 KHz.

SPECIFICATIONS

Each input represents three K Series unit loads.