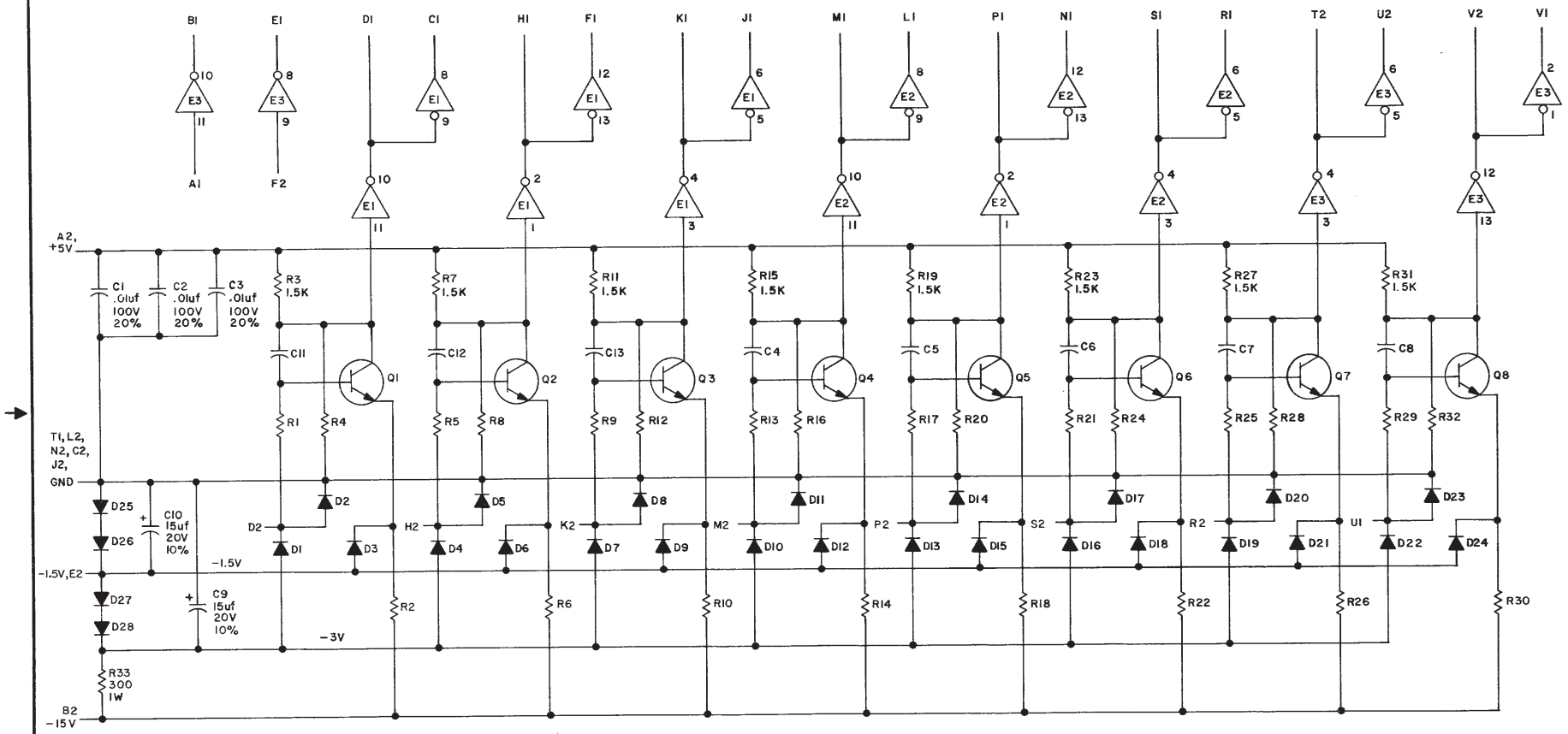


THIS SCHEMATIC IS FURNISHED FOR TEST AND MAINTENANCE PURPOSES. THE CIRCUITS ARE PROPRIETARY IN NATURE AND SHOULD BE TREATED ACCORDINGLY. COPYRIGHT 1970 BY DIGITAL EQUIPMENT CORPORATION



UNLESS OTHERWISE INDICATED:
 RESISTORS ARE 3K, 1/4W, 5%
 DIODES ARE D664
 CAPACITORS ARE 150 pf, 100V, 5%
 TRANSISTORS ARE DEC3009B
 IC'S ARE DEC7404

REV. A
 NUMBER M531-0-1
 SIZE CODE C CS

REV.	CHK	CHK NO.	REV.
1		00001	A

DRN. Nancy Moses	DATE 3/5/70
CHKD. R. Johnson	DATE
ENG. E. Sullivan	DATE 4/8/70
PROD. D. Wall	DATE 6/19/70

TRANSISTOR & DIODE CONVERSION CHART			
DEC	EIA	DEC	EIA
DEC3009B	2N3009		
D664	1N3606		

digital
 EQUIPMENT CORPORATION
 MAYNARD, MASSACHUSETTS

TITLE		NEGATIVE BUS CONVERTER	
SIZE C	CODE CS	NUMBER M531-0-1	REV. A
PRINTED CIRCUIT REV.		A	

Dist. 324 434 435 S. Pink